



2013–2014 CO₂ laser consumables
Amada®



Our value proposition

- Product breadth – with over 2,800 part numbers
- OEM quality/consistency for nozzles, ceramics and optics
- Technical/application support from OEM-trained technicians
- 100% satisfaction guarantee



Page	OEM
88–90, 92–94, 96, 97, 99–103, 105	Adige
1	Amada
16	Amada – optics
19	Behrens
20	Bystronic
31	Bystronic – optics
33	Cincinnati
34	Cincinnati – optics
88–90, 94, 105	Durma
88–90, 94, 105	Ermaksan
88–90, 92–94, 96, 97, 101–103, 105	Finn Power
88–90, 92–94, 96, 97, 105	GHT
36	Haas
37	Haco
38	Hankwang
88, 94, 105	Hans
93	Koike
41	Laserdyne
42	Laser Lab
42	Laser Lab – optics
43	LVD
46	LVD – optics
47–73, 94, 99, 100, 105	Mazak
74	Mazak – optics
76	Mitsubishi
81	Mitsubishi – optics
83	Murata Wiedemann – Fanuc
84	Niigata
85	NTC – Beyeler
87	NTC – Beyeler – optics
88	Precitec
106	Precitec – optics
108	Prima Industrie
115	Prima Industrie – optics
116	Raskin
117	Rouchaud
118–121, 88–90, 94, 105	Salvagnini
122	Strippit
123	Tanaka
124	Tanaka – optics
125	Thyssen
126	Trumpf
142	Trumpf – optics
144	Valfivre

Hypertherm and Centricut are registered trademarks of Hypertherm Inc. and may be registered in the United States and/or other countries. All other trademarks are the properties of their respective owners. Centricut is in no way affiliated with Amada, Behrens, Bystronic, Cincinnati, Finn-Power, GHT-SHT, Haas, Haco, Hankwang, Laserdyne, Laser Lab, LVD, Mazak, Mitsubishi, Murata Wiedemann, Fanuc, Niigata, NTC, Beyeler, Precitec, Prima Industrie, Raskin, Rouchaud, Salvagnini, Strippit, Tanaka, Thyssen, Trumpf and Valfivre.

CO₂ laser nozzles

Nozzle options

All Centricut nozzles are engineered and manufactured to the highest standards. Select the OEM quality nozzle best suited for your application needs.

Good

Copper nozzles are the most commonly used nozzle and offer good durability and nozzle life.

Better

Chrome plated nozzles have a shiny, mirror-like finish and provide increased spatter resistance, improved durability and longer life than copper nozzles.

Look for CP in the part number to identify a chrome plated nozzle.

Best

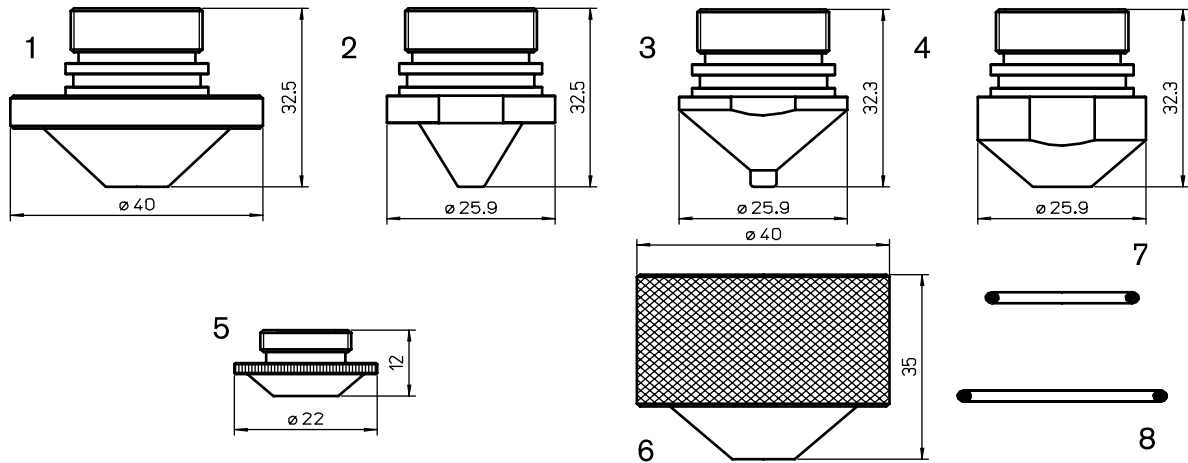
Hard chrome plated nozzles are our premium nozzles offering the highest level of durability and longest nozzle life. These nozzles are not as shiny as chrome plated and have a dull appearance.

Look for HCP in the part number to identify a hard chrome nozzle.

Nozzle selection guide

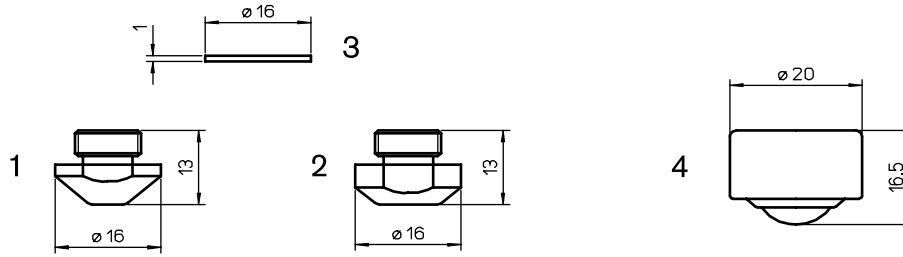
Type of nozzle	Reasons for selecting
CP (chrome plated)	Nozzles plated with chrome for increased durability. These nozzles are easier to clean, resist damage due to 'tip-ups' and have better spatter resistance over non-plated nozzles. For use in all laser cutting applications.
Conical	Conical internal geometry for high pressure, non-ferrous cutting applications using nitrogen, air or argon.
Cylindrical	Cylindrical internal geometry for low pressure, mild steel cutting applications using oxygen.
Double	Insert pressed into a standard cylindrical nozzle for improved edge quality, laminar gas flow and spatter resistance. Primarily used in mild steel applications.
HCP (hard chrome plated)	Enhanced durability chrome plated nozzles. These nozzles are easier to clean, resist damage due to 'tip-ups' and have better spatter resistance over non-plated nozzles. For use in all laser cutting applications.
HP (high pressure) HD (high density)	Conical style nozzle for high pressure, non-ferrous cutting applications using nitrogen, air or argon.
Inner	Also referred to as a 'nozzle insert'. Works in conjunction with an outer nozzle to create a double nozzle. Primarily used in mild steel applications.
Low pressure	Cylindrical style nozzle for low pressure, mild steel cutting applications using oxygen.
Outer	Works in conjunction with an inner nozzle to create a double nozzle. Primarily used in mild steel applications.
Shower	Nozzles with a center orifice surrounded by smaller jets. The smaller jets focus the assist gas into the kerf, creating improved edge quality and the ability to cut thicker material. Primarily used in mild steel applications.



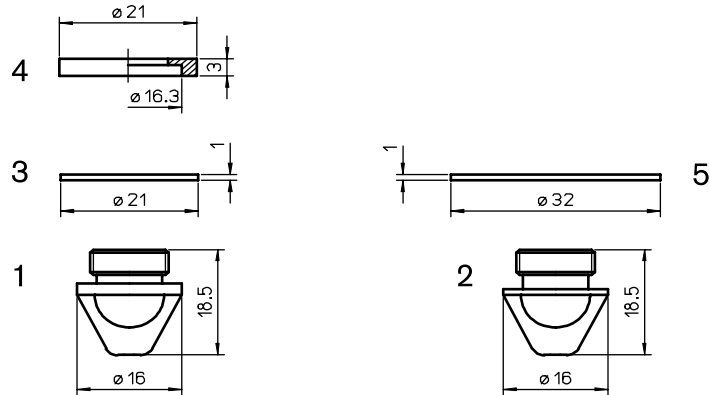


Consumables

	Centricut part number	Reference number	Alternate reference	Description	Pkg qty
1	AM425-1000	71101000	L896X	Nozzle - 1.5 mm CP clean cut	1
	AM425-2000	71102000	L897X	Nozzle - 1.75 mm CP clean cut	1
	AM425-1999	71101999	L898X	Nozzle - 2.0 mm CP clean cut	1
	AM425-0999	71101999	L899X	Nozzle - 2.5 mm CP clean cut	1
2	AM324-6892-1.3	6506892	L81X	Nozzle - 1.3 mm CP	1
	AM324-6815CP	6506892	L92X	Nozzle - 1.5 mm CP	1
	AM324-0092CP	6506892	L93X	Nozzle - 1.8 mm CP	1
	AM324-6892-2.0	74712001, 6506892	L39X	Nozzle - 2.0 mm CP	1
3	AM308-1913CP	71101901	L63X	Nozzle - 1.3 mm CP	1
	AM308-1902	71101902	L91X	Nozzle - 1.5 mm CP	1
	AM308-1918CP	71101901	L75X	Nozzle - 1.8 mm CP	1
	AM308-1901-2.0	71101901, 845735	L29X	Nozzle - 2.0 mm CP	1
	AM308-1925CP		L809X	Nozzle - 2.5 mm CP	1
	AM308-1930CP	71101901	L808X	Nozzle - 3.0 mm CP	1
	4	AM308-2013CP		L297X	Nozzle - 1.3 mm CP
AM308-2015CP		62094001, 71102001	L298X	Nozzle - 1.5 mm CP	1
AM308-2018CP		62094001, 71102001	L299X	Nozzle - 1.8 mm CP	1
AM308-2020CP		62094001, 71102001	L300X	Nozzle - 2.0 mm CP	1
AM308-2030CP		62094002, 71102005	L301X	Nozzle - 3.0 mm CP	1
5	AM308-8810CP		L85X	Nozzle - 1.0 mm CP	1
	AM308-8812CP		L94X	Nozzle - 1.25 mm CP	1
	AM308-8815CP		L95X	Nozzle - 1.5 mm CP	1
	AM308-8817CP		L96X	Nozzle - 1.75 mm CP	1
	AM308-8820CP	74718816, 8249301	L38X	Nozzle - 2.0 mm CP	1
6	AM308-1905	71101905, 841143B	L30X	Nozzle, outer CP	1
7	AM308-S-20	S-20	AL90	O-ring (for nozzles)	10
8	AM308-AS-34	1AS-34	AL96	O-ring (for AM308-1905)	1

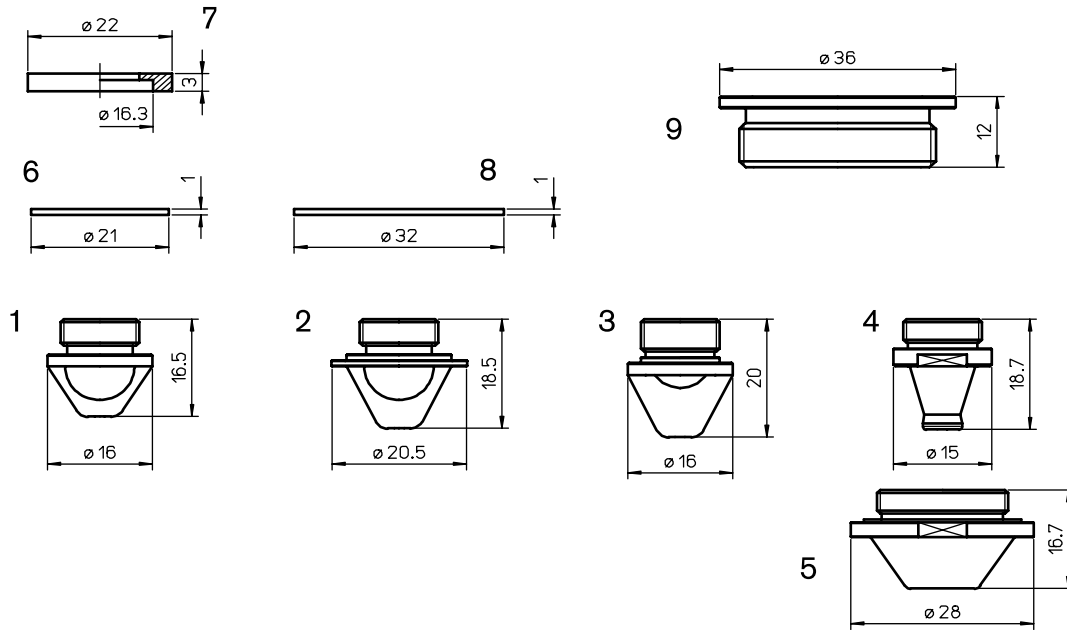

Consumables

	Centricut part number	Reference number	Alternate reference	Description	Pkg qty
1	AM325-4010CP	62094006	L171X	Nozzle - 1.0 mm CP	1
	AM325-4010CPX	62094006	L30171X	Nozzle - 1.0 mm CP (10 pack)	10
	AM325-4006-1.3	62094006	L172X	Nozzle - 1.25 mm CP	1
	AM325-4125CPX	62094006	L30172X	Nozzle - 1.25 mm CP (10 pack)	10
	AM325-4006-1.5	62094006, 1507610	L173X	Nozzle - 1.5 mm CP	1
	AM325-4015CPX	62094006, 1507610	L30173X	Nozzle - 1.5 mm CP (10 pack)	10
	AM325-4175CP	62094006	L174X	Nozzle - 1.75 mm CP	1
	AM325-4175CPX	62094006	L30174X	Nozzle - 1.75 mm CP (10 pack)	10
	AM325-4006-2.0	62094006, 1507611	L27X	Nozzle - 2.0 mm CP	1
	AM325-4020CPX	62094006, 1507611	L3027X	Nozzle - 2.0 mm CP (10 pack)	10
	AM325-4025CP	62094006	L175X	Nozzle - 2.5 mm CP	1
	AM325-4025CPX	62094006	L30175X	Nozzle - 2.5 mm CP (10 pack)	10
	AM325-4006-3.0	62094008, 71102007	L28X	Nozzle - 3.0 mm CP	1
	AM325-4030CPX	62094008, 71102007	L3028X	Nozzle - 3.0 mm CP (10 pack)	10
2	AM325-1090CP	62094005	L750X	Nozzle - 1.0 mm CP	1
	AM325-1090CPX	62094005	L30750X	Nozzle - 1.0 mm CP (10 pack)	10
	AM325-4005CP	62094005	L751X	Nozzle - 1.25 mm CP	1
	AM325-4005CPX	62094005	L30751X	Nozzle - 1.25 mm CP (10 pack)	10
	AM325-4005-1.5	62094005, 71341515	L752X	Nozzle - 1.5 mm CP	1
	AM325-1515CPX	62094005, 71341515	L30752X	Nozzle - 1.5 mm CP (10 pack)	10
	AM325-1517CP	62094005, 71341515-1.75	L753X	Nozzle - 1.75 mm CP	1
	AM325-1517CPX	62094005, 71341515-1.75	L30753X	Nozzle - 1.75 mm CP (10 pack)	10
	AM325-4005-2.0	62094005, 71102006	L754X	Nozzle - 2.0 mm CP	1
	AM325-1520CPX	62094005, 71102006	L30754X	Nozzle - 2.0 mm CP (10 pack)	10
	AM325-1525CP	62094005	L755X	Nozzle - 2.5 mm CP	1
	AM325-1525CPX	62094005	L30755X	Nozzle - 2.5 mm CP (10 pack)	10
	AM325-1530CP	62094005, 71341515-3.0	L756X	Nozzle - 3.0 mm CP	1
	AM325-1530CPX	62094005, 71341515-3.0	L30756X	Nozzle - 3.0 mm CP (10 pack)	10
3	AM325-4006-R	62094006	AL107	Head protection disc - 16 mm (plastic)	1
4	AM325-0001		AL31	Work holder	1



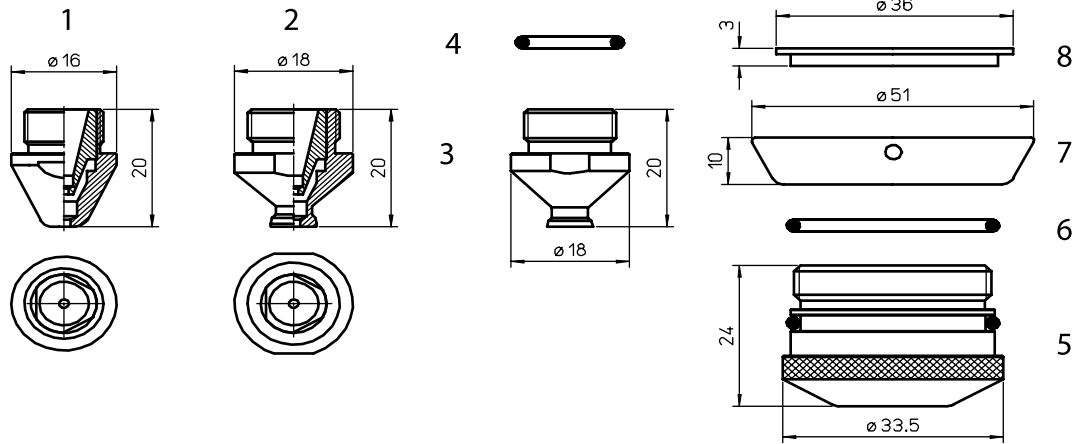
Consumables

	Centricut part number	Reference number	Alternate reference	Description	Pkg qty
1	AM325-0008CP		L760X	Nozzle - 0.8 mm CP	1
	AM325-0008CPX		L30760X	Nozzle - 0.8 mm CP (10 pack)	10
	AM325-545U-1.0	1664545U	L134X	Nozzle - 1.0 mm CP	1
	AM325-0010CPX	1664545U	L30134X	Nozzle - 1.0 mm CP (10 pack)	10
	AM325-545U-1.25	1664545U	L135X	Nozzle - 1.25 mm CP	1
	AM325-0125CPX	1664545U	L30135X	Nozzle - 1.25 mm CP (10 pack)	10
	AM325-545U-1.5	1664545U	L86X	Nozzle - 1.5 mm CP	1
	AM325-0015CPX	1664545U	L3086X	Nozzle - 1.5 mm CP (10 pack)	10
	AM325-545U-1.75	1664545U	L136X	Nozzle - 1.75 mm CP	1
	AM325-0175CPX	1664545U	L30136X	Nozzle - 1.75 mm CP (10 pack)	10
	AM325-545U-2.0	1664644U, 71341610	L137X	Nozzle - 2.0 mm CP	1
	AM325-0020CPX	1664644U, 71341610	L30137X	Nozzle - 2.0 mm CP (10 pack)	10
	AM325-545U-2.5	1664545U	L203X	Nozzle - 2.5 mm CP	1
	AM325-0025CPX	1664545U	L30203X	Nozzle - 2.5 mm CP (10 pack)	10
	AM325-4544U	1664645U, 71360142	L138X	Nozzle - 3.0 mm CP	1
	AM325-4544UX	1664645U, 71360142	L30138X	Nozzle - 3.0 mm CP (10 pack)	10
	AM325-0400CP		L339X	Nozzle - 4.0 mm CP	1
	AM325-0400CPX		L30339X	Nozzle - 4.0 mm CP (10 pack)	10
AM325-0050CP		L763X	Nozzle - 5.0 mm CP	1	
AM325-0050CPX		L30763X	Nozzle - 5.0 mm CP (10 pack)	10	
2	AM325-0001CP	Centricut design	L192X	Nozzle - 1.0 mm CP	1
	AM325-0001CPX	Centricut design	L30192X	Nozzle - 1.0 mm CP (10 pack)	10
	AM325-0002CP	Centricut design	L193X	Nozzle - 1.25 mm CP	1
	AM325-0002CPX	Centricut design	L30193X	Nozzle - 1.25 mm CP (10 Pack)	10
	AM325-0003CP	Centricut design	L194X	Nozzle - 1.5 mm CP	1
	AM325-0003CPX	Centricut design	L30194X	Nozzle - 1.5 mm CP (10 Pack)	10
	AM325-0004CP	Centricut design	L195X	Nozzle - 1.75 mm CP	1
	AM325-0004CPX	Centricut design	L30195X	Nozzle - 1.75 mm CP (10 pack)	10
	AM325-0005CP	Centricut design	L196X	Nozzle - 2.0 mm CP	1
	AM325-0005CPX	Centricut design	L30196X	Nozzle - 2.0 mm CP (10 pack)	10
	AM325-0006CP	Centricut design	L197X	Nozzle - 2.5 mm CP	1
	AM325-0006CPX	Centricut design	L30197X	Nozzle - 2.5 mm CP (10 pack)	10
AM325-0007CP	Centricut design	L198X	Nozzle - 3.0 mm CP	1	
AM325-0007CPX	Centricut design	L30198X	Nozzle - 3.0 mm CP (10 pack)	10	
3	AM325-325-1	71341614	AL1005	Head protection disc - 21 mm (plastic)	1
	AM325-1614	71341614	AL122	Head protection disc - 21 mm (Vespel®)	1
4	AM325-325-2	71341614	AL123	Head protection disc - 21 mm (ceramic)	1
5	AM325-9819	71369819	AL42	Head protection disc - 32 mm (plastic)	1



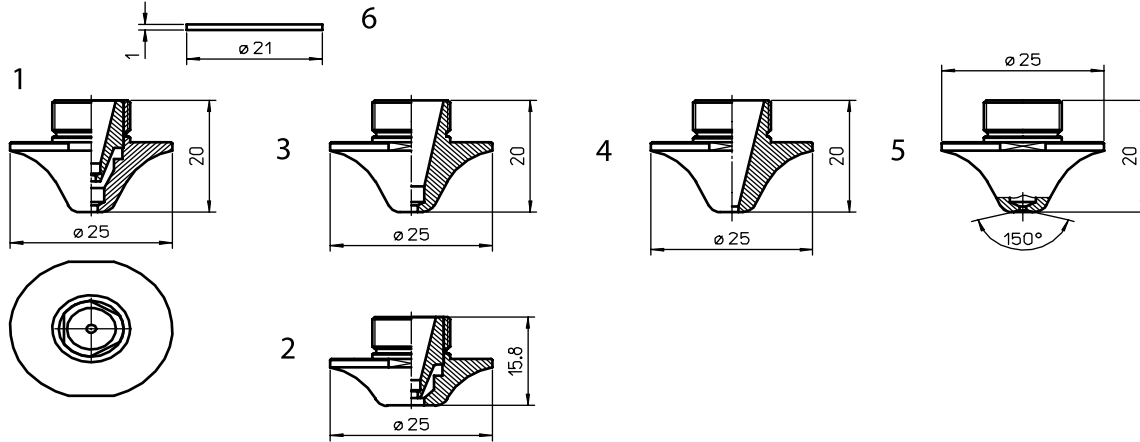
Consumables

	Centricut part number	Reference number	Alternate reference	Description	Pkg qty
1	AM325-0300CP		L338X	Nozzle - 3.0 mm CP short	1
	AM325-1500CP		L1067X	Nozzle - 1.5 mm CP large flange	1
2	AM325-2000CP		L1066X	Nozzle - 2.0 mm CP large flange	1
	AM325-3000CP		L1068X	Nozzle - 3.0 mm CP large flange	1
3	AM325-1770	71341770, 1667110	L1285X	Nozzle - 2.0 mm CP	1
	AM325-1730		L1287X	Nozzle - 3.0 mm CP	1
4	AM369-0001		L926X	Nozzle - 0.8 mm HP-X CP	1
	AM369-0002		L927X	Nozzle - 1.0 mm HP-X CP	1
	AM369-0003		L928X	Nozzle - 1.2 mm HP-X CP	1
	AM369-0009	71398902, 1034-00-5-1	L933X	Nozzle - 1.4 mm HP-X CP	1
	AM369-0004		L929X	Nozzle - 1.5 mm HP-X CP	1
	AM369-0005		L930X	Nozzle - 2.0 mm HP-X CP	1
	AM369-0006		L931X	Nozzle - 2.5 mm HP-X CP	1
	AM369-0007		L932X	Nozzle - 3.0 mm HP-X CP	1
5	AM369-0008		AL220X	Nozzle, outer HP-X CP	1
6	AM325-325-1	71341614	AL1005	Head protection disc - 21 mm (plastic)	1
	AM325-1614	71341614	AL122	Head protection disc - 21 mm (VespeI®)	1
7	AM325-325-2	71341614	AL123	Head protection disc - 21 mm (ceramic)	1
8	AM325-9819	71639819	AL42	Head protection disc - 32 mm (plastic)	1
9	AM367-0387 NEW		AL387	Ceramic spacer	1



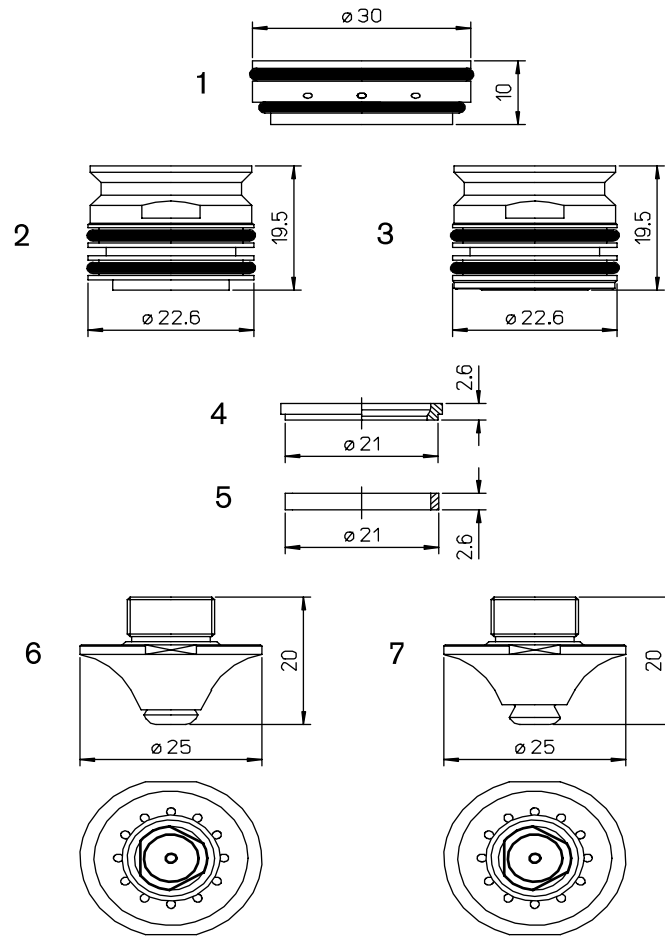
Consumables

	Centricut part number	Reference number	Alternate reference	Description	Pkg qty
1	AM326-9864-1.0	1669864, 7134162	L390X	Nozzle - 1.0 mm double CP	1
	AM326-9864-1.2	1669864, 7134162	L392X	Nozzle - 1.2 mm double CP	1
	AM326-9864-1.4	1669864, 7134162	L393X	Nozzle - 1.4 mm double CP	1
	AM326-9864-1.5	1669864, 7134162	L391X	Nozzle - 1.5 mm double CP	1
	AM326-9864CP	1669864, 7134162	L780X	Nozzle - 1.8 mm double CP	1
	AM326-9864-2.0	1669864, 7134162	L315X	Nozzle - 2.0 mm double CP	1
	AM326-9864-2.5	1669864, 7134162	L316X	Nozzle - 2.5 mm double CP	1
	AM326-9864-3.0	1669864, 7134163	L317X	Nozzle - 3.0 mm double CP	1
	AM326-4135CP	1669864, 7134162	L768X	Nozzle - 3.5 mm double CP	1
	AM326-4138CP	1669864, 7134162	L319X	Nozzle - 3.8 mm double CP	1
	AM326-9864-4.0	1669795, 71341681	L318X	Nozzle - 4.0 mm double CP	1
	2	AM326-1210CP	6551218, 71341682	L387X	Nozzle - 1.0 mm double CP
AM326-1212CP		6551218, 71341682	L386X	Nozzle - 1.2 mm double CP	1
AM326-1214CP		6551218, 71341682	L389X	Nozzle - 1.4 mm double CP	1
AM326-1218-1.5		6551218, 71341682	L388X	Nozzle - 1.5 mm double CP	1
AM326-1217CP		6551218, 71341682	L764X	Nozzle - 1.7 mm double CP	1
AM326-1218-2.0		6551218, 71341682	L320X	Nozzle - 2.0 mm double CP	1
AM326-1218-2.5		6551218, 71341682	L321X	Nozzle - 2.5 mm double CP	1
AM326-1218-3.0		6551218, 71341682	L322X	Nozzle - 3.0 mm double CP	1
AM326-1218-3.8		6551218, 71341682	L323X	Nozzle - 3.8 mm double CP	1
AM326-4140CP		6551218, 71341682	L330X	Nozzle - 4.0 mm double CP	1
AM326-0050CP	6551218, 71341682	L781X	Nozzle - 5.0 mm double CP	1	
3	AM326-6010CP	71366090	L384X	Nozzle - 1.0 mm CP	1
	AM326-6012CP	71366090	L765X	Nozzle - 1.2 mm CP	1
	AM326-6014CP	71366090	L766X	Nozzle - 1.4 mm CP	1
	AM326-6015CP	71366090	L385X	Nozzle - 1.5 mm CP	1
	AM326-6020CP	71366090	L324X	Nozzle - 2.0 mm CP	1
	AM326-6025CP	71366090	L325X	Nozzle - 2.5 mm CP	1
	AM326-6030CP	71366090	L326X	Nozzle - 3.0 mm CP	1
	AM326-6038CP	71366090	L327X	Nozzle - 3.8 mm CP	1
AM326-6040CP	71366090	L767X	Nozzle - 4.0 mm CP	1	
4	AM326-S-14	S-14	AL93	O-ring (for nozzles)	10
5	AM326-6452	71366452, 71341684, 6551148A	AL115X	Nozzle, outer CP	1
6	AM326-6453	71366453	AL94	O-ring (for AM326-6452)	10
7	AM326-6438	71366438	AL180	Guard nut	1
8	AM326-6437	71366437	AL181	Guard ring	1



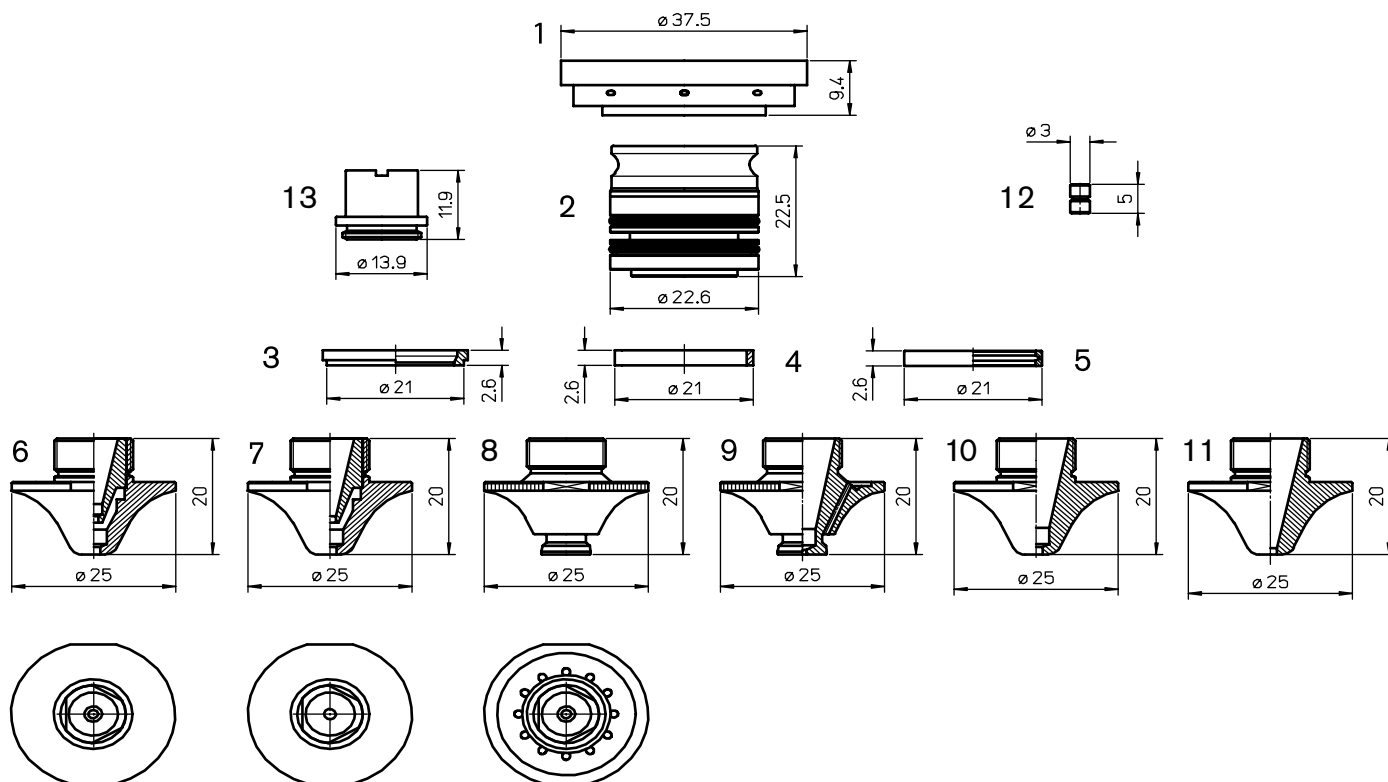
Consumables

	Centricut part number	Reference number	Alternate reference	Description	Pkg qty
1	AM343-2361-1.2	1572361	L585X	Nozzle - 1.2 mm double CP	1
	AM343-9813	71369813, 71502038, 71518550, 71341779	L586X	Nozzle - 1.4 mm double CP	1
	AM343-2361-1.7	1572361, 71518548, 1572380	L574X	Nozzle - 1.7 mm double CP	1
	AM343-2361-2.0	1572361	L587X	Nozzle - 2.0 mm double CP	1
	AM343-2361-2.5	71501059, 71515394, 71516789, 1576398	L584X	Nozzle - 2.5 mm double CP	1
	AM343-2361-3	1572361	L588X	Nozzle - 3.0 mm double CP	1
	AM343-9817	71501060, 71515395, 71516790, 1576399	L589X	Nozzle - 4.0 mm double CP	1
	AM367-1037		L1037X	Nozzle - 4.0 mm double CP (2.0 mm inner)	1
	AM343-2350CP	1572361	L583X	Nozzle - 5.0 mm double CP	1
	AM343-0569		L569X	Nozzle - 6.0 mm double CP	1
2	AM343-2340CPS		L565X	Nozzle - 4.0 mm double CP short	1
	AM343-2350CPS		L567X	Nozzle - 5.0 mm double CP short	1
	AM343-2360CPS		L568X	Nozzle - 6.0 mm double CP short	1
3	AM343-2362-0.8	1572362	L590X	Nozzle - 0.8 mm CP	1
	AM343-2362-1.0	1572362	L591X	Nozzle - 1.0 mm CP	1
	AM343-2362-1.2	71369812, 71341778	L592X	Nozzle - 1.2 mm CP	1
	AM343-2362-1.4	1572362	L593X	Nozzle - 1.4 mm CP	1
	AM343-2362-1.5	1572362, 1572368B	L597X	Nozzle - 1.5 mm CP	1
	AM343-2317CP	1572362	L575X	Nozzle - 1.7 mm CP	1
	AM343-2362-2.0	71515392	L594X	Nozzle - 2.0 mm CP	1
	AM343-0025CP		L572X	Nozzle - 2.5 mm CP	1
	AM343-2362-3.0	71501058, 71515393	L595X	Nozzle - 3.0 mm CP	1
	AM343-2362-4.0	1572362	L596X	Nozzle - 4.0 mm CP	1
4	AM343-0004CP		L1027X	Nozzle - 0.8 mm CP	1
	AM343-0005CP		L1028X	Nozzle - 1.0 mm CP	1
	AM343-0006CP		L1029X	Nozzle - 1.2 mm CP	1
	AM343-0007CP		L1030X	Nozzle - 1.4 mm CP	1
	AM343-0001CP		L599X	Nozzle - 1.5 mm CP	1
	AM343-0002CP		L598X	Nozzle - 2.0 mm CP	1
	AM343-0003CP		L571X	Nozzle - 3.0 mm CP	1
5	AM367-2008CP		L1024X	Nozzle - 0.8 mm CP w/concave	1
	AM367-2010CP		L1025X	Nozzle - 1.0 mm CP w/concave	1
	AM367-2037		L1026X	Nozzle - 1.2 mm CP w/concave	1
	AM367-2038	71502038, 1576396A	L1031X	Nozzle - 1.4 mm double CP w/concave	1
6	AM325-325-1	71341614	AL1005	Head protection disc - 21 mm (plastic)	1
	AM325-1614	71341614	AL122	Head protection disc - 21 mm (Vespel®)	1


Consumables

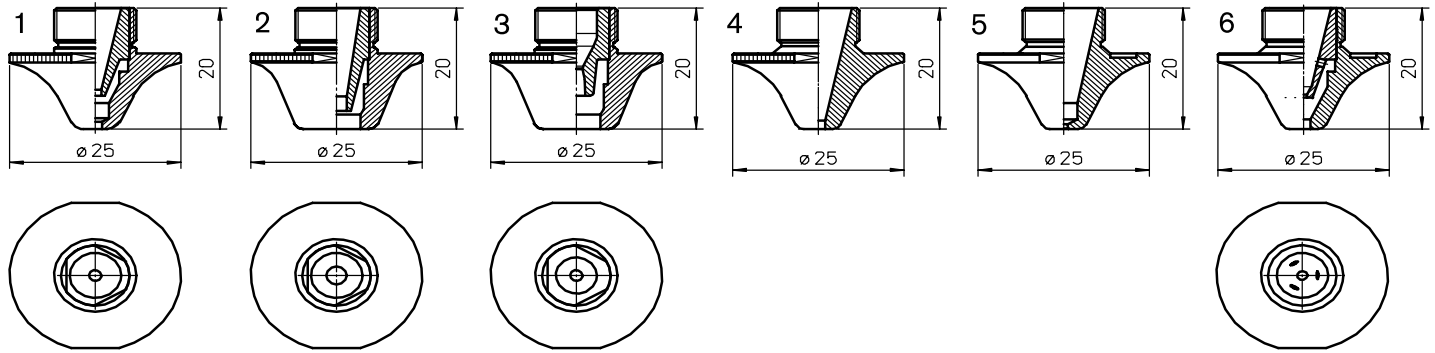
	Centricut part number	Reference number	Alternate reference	Description	Pkg qty
1	AM367-2026	71502026	AL340	Insulator - PTFE*	1
2	AM367-2036	71502036	AL248	Nozzle adaptor w/8 holes	1
3	AM367-3036	71502036	AL348	Nozzle adaptor w/12 holes	1
	AM367-0001 (not shown)		AL268	O-ring	1
4	AM367-0853		AL233	O-ring - rigid	1
5	AM367-5853	71515853	AL234	Ring - PTFE*	1
6	AM386-2025CP	71502039	L1155X	Nozzle - 2.5 mm double CP w/holes	1
	AM386-2041CP	71502040	L1159X	Nozzle - 4.0 mm double CP w/holes	1
7	AM367-1014CP		L1041X	Nozzle - 1.4 mm double CP w/holes	1
	AM367-1017CP		L1043X	Nozzle - 1.7 mm double CP w/holes	1
	AM367-1020CP		L1044X	Nozzle - 2.0 mm double CP w/holes	1
	AM367-2039	71502039	L1045X	Nozzle - 2.5 mm double CP w/holes	1
	AM367-2040	71502040	L1049X	Nozzle - 4.0 mm double CP w/holes	1
	AM367-2050CP		L1050X	Nozzle - 5.0 mm double CP w/holes	1

*PolyTetraFluoroEthylene is a fluorocarbon-based polymer and is commonly abbreviated PTFE. The Teflon® brand of PTFE is manufactured only by DuPont and is not sold by Centricut. Centricut purchases other brands of PTFE from various high quality manufacturers.

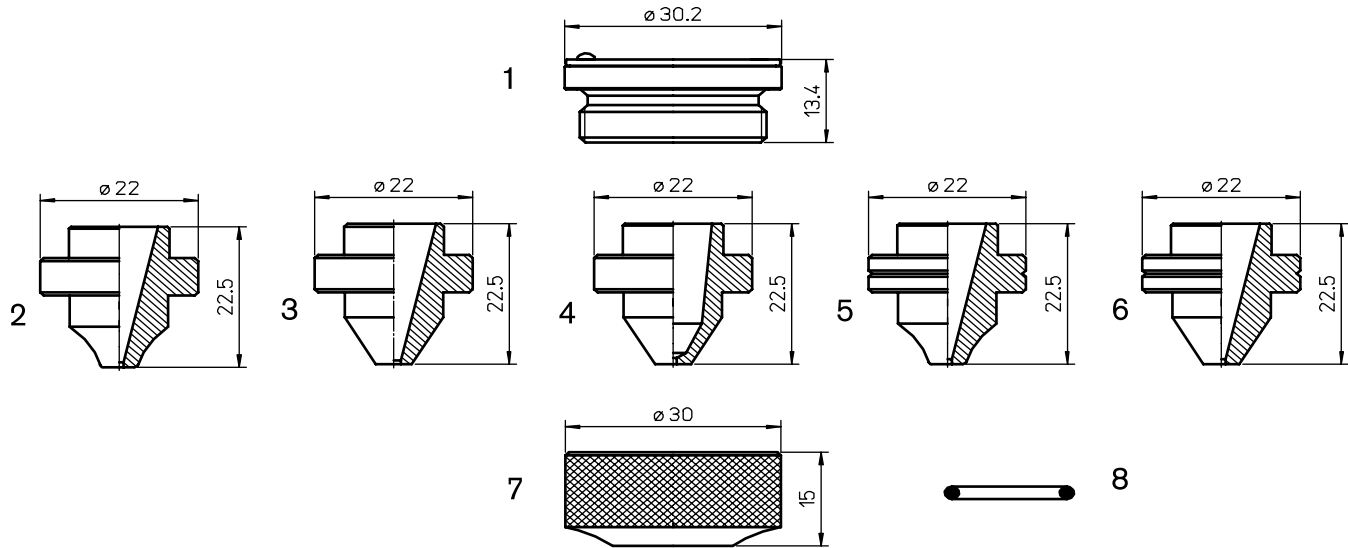

Consumables

	Centricut part number	Reference number	Alternate reference	Description	Pkg qty
1	AM367-2349	7973497, 71712349	AL372	Holder - PTFE*	1
2	AM367-0360	71712350, 7973459	AL360	Nozzle adaptor w/holes	1
3	AM367-0853		AL233	O-ring - rigid	1
4	AM367-5853	71515853	AL234	Ring - PTFE*	1
5	AM367-2340 NEW	71712340	AL361	Ring - PTFE* with groove	1
6	AM367-8550	71518550	L1401X	Nozzle - 1.4 mm double ECO Cut CP	1
	AM367-6789	71516789	L1403X	Nozzle - 2.5 mm double ECO Cut CP	1
	AM367-6790	71516790	L1405X	Nozzle - 4.0 mm double ECO Cut CP	1
7	AM367-6791CP	7151690	L1406X	Nozzle - 4.0 mm double AL CP	
8	AM367-1352CP		L1352X	Nozzle - 1.4 mm double WACS CP	1
	AM367-1353CP		L1353X	Nozzle - 1.7 mm double WACS CP	1
	AM367-1354CP		L1354X	Nozzle - 2.0 mm double WACS CP	1
	AM367-1355CP	71712335	L1355X	Nozzle - 2.5 mm double WACS CP	1
	AM367-1158CP	71712336, 71461158	L1359X	Nozzle - 4.0 mm double WACS CP	1
9	AM367-2336 NEW	71712336, 71461158	L1568X	Nozzle - S1.2W WACS CP	1
10	AM367-1407CP	71502037	L1407X	Nozzle - 1.2 mm ECO Cut CP	1
11	AM367-1410CP		L1410X	Nozzle - 1.4 mm ECO Cut CP	1
	AM367-1411CP	71501056	L1411X	Nozzle - 1.5 mm ECO Cut CP	1
	AM367-1412CP	71501057	L1412X	Nozzle - 2.0 mm ECO Cut CP	1
	AM367-1413CP	71516788	L1413X	Nozzle - 3.0 mm ECO Cut CP	1
12	AM367-2344	71712344	AL359	Locating pin	1
13	AM367-6438	71716438	AL392	Inner for adapter	1

*PolyTetraFluoroEthylene is a fluorocarbon-based polymer and is commonly abbreviated PTFE. The Teflon® brand of PTFE is manufactured only by DuPont and is not sold by Centricut. Centricut purchases other brands of PTFE from various high quality manufacturers.


Consumables

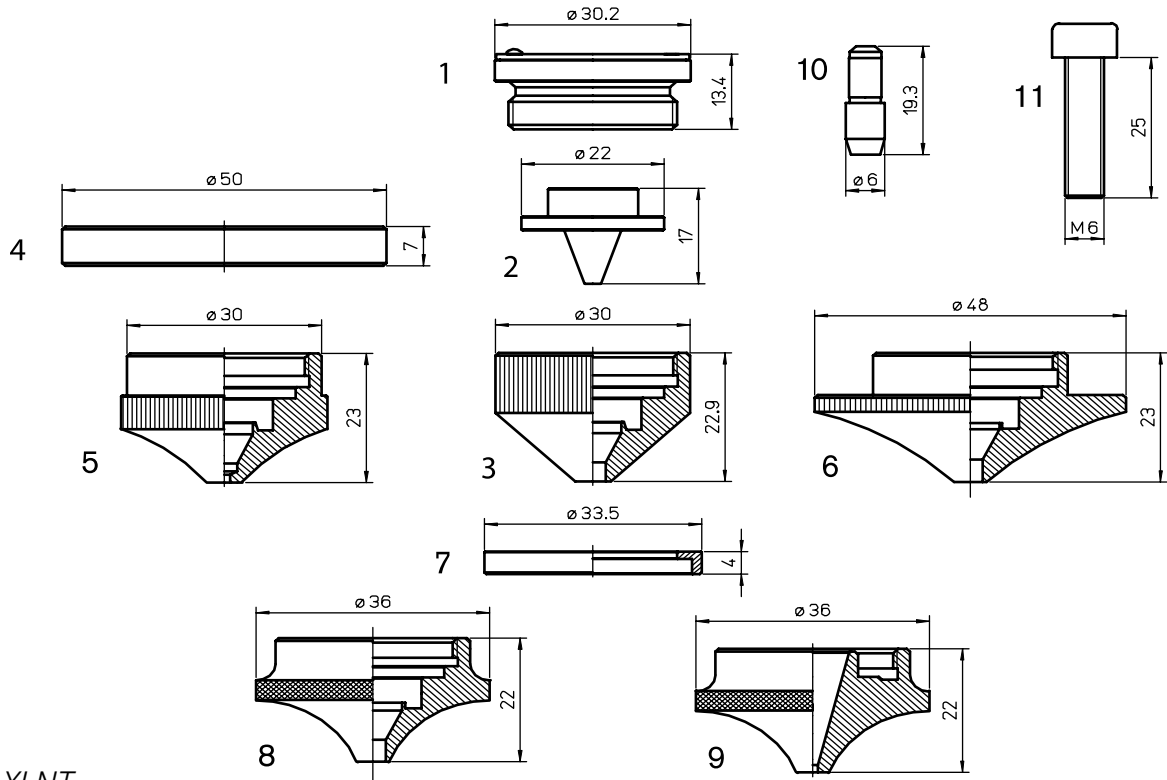
	Centricut part number	Reference number	Alternate reference	Description	Pkg qty
1	AM367-1727CP		L1415XH	Nozzle - 2.5 mm double Clean Cut CP	1
	AM367-1728	71341728	L1416XH	Nozzle - 4.0 mm double Clean Cut CP	1
2	AM367-1717CP		L1417XH	Nozzle - 5.0 mm double Clean Cut CP	1
	AM367-1718CP		L1418XH	Nozzle - 6.0 mm double Clean Cut CP	1
	AM367-1729CP	71341729	L1419XH	Nozzle - 7.0 mm double Clean Cut CP	1
3	AM367-1770CP	71712692	L1420XH	Nozzle - 7.0 mm double Silky Cut CP	1
4	AM367-1421CP		L1421XH	Nozzle - 1.5 mm Clean Cut CP	1
	AM367-1422CP	71502043	L1422XH	Nozzle - 2.0 mm Clean Cut CP	1
	AM367-1423CP	71502044	L1423XH	Nozzle - 3.0 mm Clean Cut CP	1
	AM367-1424CP	NEW	L1424XH	Nozzle - 2.5 mm Clean Cut CP	1
5	AM367-1560	NEW	L1560X	Nozzle - 0.8 mm Fe CP	1
	AM367-1561	NEW	L1561X	Nozzle - 1.0 mm Fe CP	1
	AM367-1562	NEW	L1562X	Nozzle - 1.2 mm Fe CP	1
	AM367-1563	NEW	L1563X	Nozzle - 1.4 mm Fe CP	1
6	AM367-0022	NEW	L1645X	Nozzle - double 2.0 mm Fe CP	1
	AM367-0025	NEW	L1646X	Nozzle - double 2.5 mm Fe CP	1



LC 3015 XI NT

Consumables

	Centricut part number	Reference number	Alternate reference	Description	Pkg qty
1	MB334-0001	P0594-860-00001	AL267	Nozzle holder - IT HP2 MZP/MEL	1
2	AM387-0001	71800016A0, BQ933D283H01	L1126	Nozzle - 1.0 mm w/radius no grooves	1
3	AM326-0018	71800018, BQ943D157H01	L1134	Nozzle - 1.5 mm	1
	AM326-0017		L1131	Nozzle - 1.7 mm	1
	AM326-0019	71800019, BQ943D157H02	L1135	Nozzle - 2.0 mm	1
	AM326-0020	71800020, BQ943D157H03	L1136	Nozzle - 2.5 mm	1
	AM326-0021	71800021, BQ943D157H04	L1137	Nozzle - 3.0 mm	1
	AM326-0022	71800022, BQ943D596H01	L1138	Nozzle - 3.5 mm	1
	AM326-0023		L1139	Nozzle - 4.0 mm	1
	AM326-0024CP	71800109, BQ943D714H01, W18Q94371401	L1140X	Nozzle - 4.0 mm CP (focus point)	1
4	AM387-0016	71800016, BQ943D897H01, W18Q94389701	L1125	Nozzle - 1.0 mm	1
	AM387-1901	W18Q93309101	L1128	Nozzle - 2.5 mm	1
	AM387-1902	W18Q93309102	L1129	Nozzle - 3.0 mm	1
5	AM387-0017	71800017, BQ943D269H01, W18Q93326901	L1130	Nozzle - 1.2 mm w/radius	1
6	AM387-2701	W18Q93302701	L1132	Nozzle - 1.7 mm	1
7	AM367-0269	71800026, BQ933D94H01	AL269	Nozzle nut short	1
8	MB334-W290	W290	AL388	O-ring	1

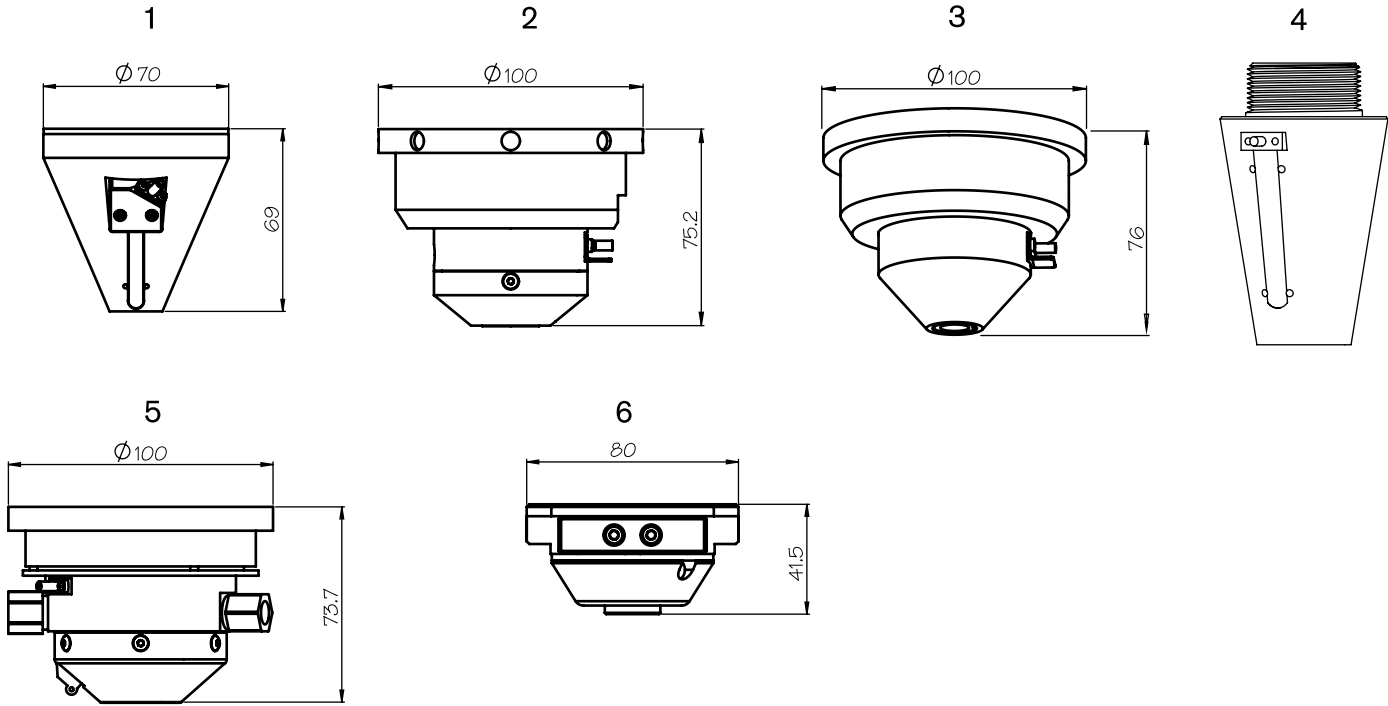


LC 3015 XI NT

Consumables

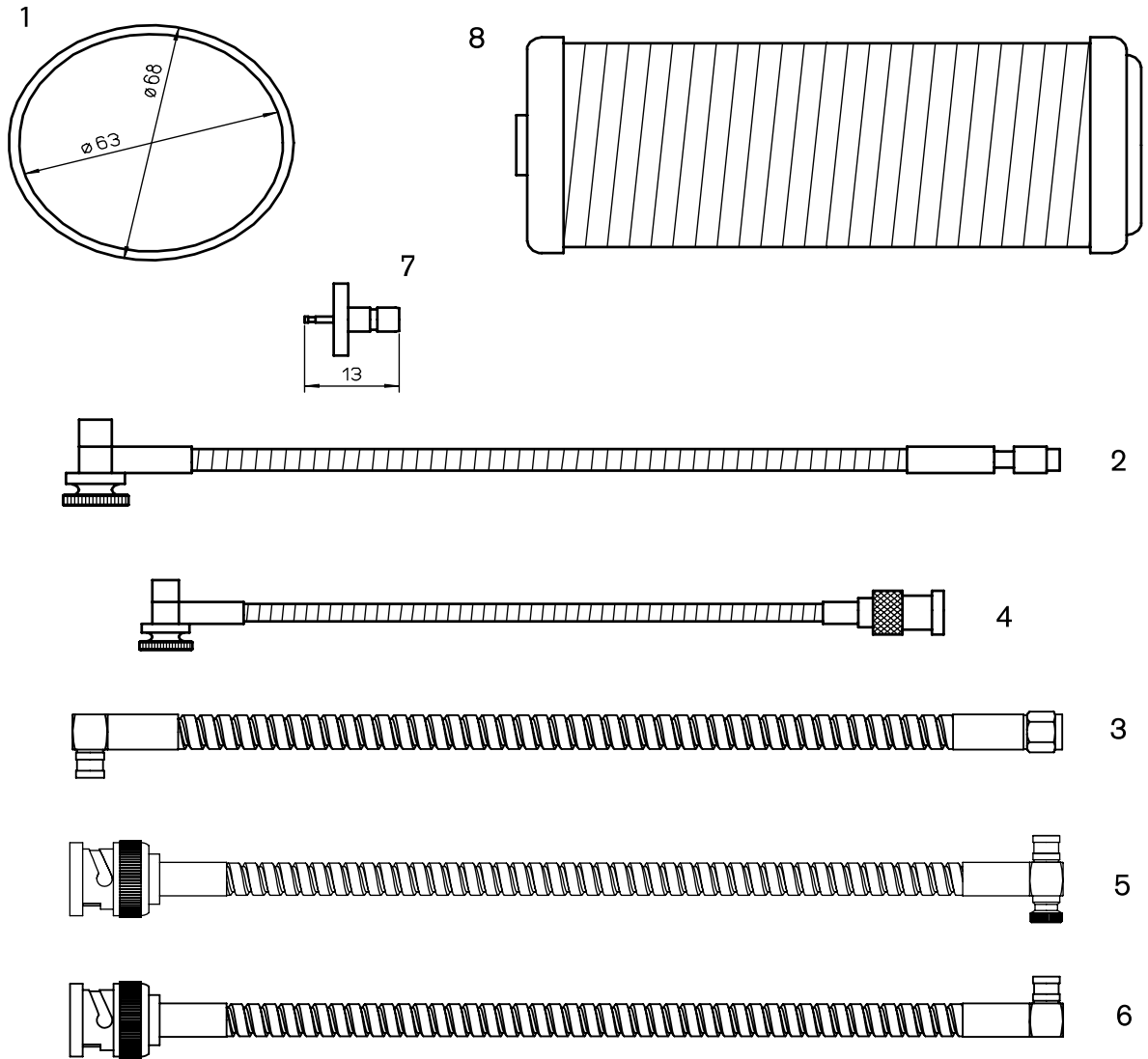
	Centricut part number	Reference number	Alternate reference	Description	Pkg qty
1	MB334-0001	P0594-860-00001	AL267	Nozzle holder - IT HP2 MZP/MEL	1
2	AM387-0023	71800023, BQ943D156H01	L1119	Nozzle - double insert - 8 hole 1.5 mm	1
	AM387-0024	71800024, BQ943D156H03	L1123	Nozzle - double insert - 24 hole 1.5 mm	1
	AM387-0025		L1120	Nozzle - double insert - 8 hole 2.0 mm	1
	AM387-0026		L1124	Nozzle - double insert - 24 hole 2.0 mm	1
3	MB316-269S	71800027, BQ933D221H04, P0593-860-00001	AL238	Shield cap - short	1
	MB316-269SCP		AL238X	Shield cap - short CP	1
4	AM416-0001		AL297	Ring (plastic)	1
5	AM416-0002		AL302	Nozzle - 1.7 mm (outer)	1
	AM416-0003		AL303	Nozzle - 2.0 mm (outer)	1
	AM416-0004		AL304	Nozzle - 2.5 mm (outer)	1
	AM416-0005		AL305	Nozzle - 3.0 mm (outer)	1
	AM416-0006		AL306	Nozzle - 4.0 mm (outer)	1
	6	MB316-0440	BQ933D044H01, 71800101, W18Q93304401	AL266	Nozzle, outer - high speed pierce
7	AM416-0155T	71800155TF, BQ023D021H01	AL341-T	Insulation ring - PTFE*	1
	AM416-0155A	71800155AL, BQ023D021H01	AL341-A	Insulation ring - Aluminum	1
8	AM416-2197	71802197, BQ933D044H01	AL270	Nozzle, outer	1
9	AM416-5400	7180015400, BQ023D020H01	L1262	Nozzle - 1.7 mm high speed pierce	1
10	AM416-0009	71800009, P921K000P25, JPZA5-6	AL345	Safety pin	1
11	AM416-A005	71800008, L2490A005	AL346	Safety screw	1

*PolyTetraFluoroEthylene is a fluorocarbon-based polymer and is commonly abbreviated PTFE. The Teflon® brand of PTFE is manufactured only by DuPont and is not sold by Centricut. Centricut purchases other brands of PTFE from various high quality manufacturers.


Sensor cones

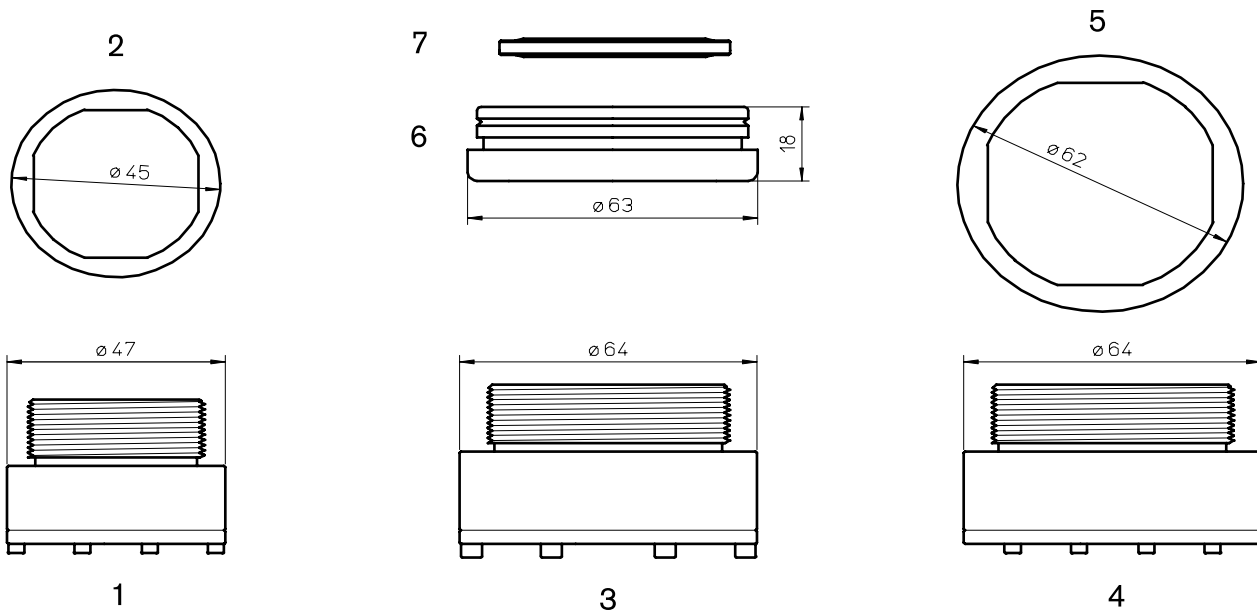
	Centricut part number	Reference number	Alternate reference	Description	Pkg qty
Sensor cone repair					
	AM999-HS95 (not shown)	71341621	567011	Sensor repair HS95 (86 mm x 69 mm)	1
1	AM999-HS95M	71360091		Sensor repair (mini) (70 mm x 69 mm)	1
2	AM999-ECO	71399107		Sensor repair ECO	1
3	AM999-HS98	71341690		Sensor repair HS98	1
4	AM999-L3015C	71374509		Sensor repair L3015C	1
5	AM999-HPX			Sensor repair HPX	1
6	AM999-HPL	74810277		Sensor repair HP-L (red)	1
	AM999-WACS (not shown)	71502035		Sensor repair HP-X WACS	1
	AM999-KNF (not shown)	HPX-KNF		Air knife - HPX sensor	1
New sensor cones					
2	AM343-9107	Amada ECO cone		Sensor cone - ECO	1
3	AM343-1690 NEW	71341690		Sensor cone - HS98	1

Sensor repairs available in select regions only.


Sensor cables and accessories

	Centricut part number	Reference number	Alternate reference	Description	Pkg qty
1	AM313-0004		AL56	Gasket - PTFE* sensor head	1
2	AM313-1901	71341630	AL200	Sensor cable - HS-5 305 mm	1
3	AM313-1901A	71341630		Sensor cable - HS-5 305 mm (premium)	1
4	AM308-8965	71398965	AL260	Sensor cable - HS-15 F.O. 305 mm	1
5	AM308-8965A	71398965		Sensor cable - armored 305 mm (premium)	1
6	AM313-9851A	71369851		Sensor cable - armored 203 mm (premium)	1
7	AM308-0001		AL263	Sensor cable connector	1
8	AM313-2023	71232023		Filter - vacuum pump	1

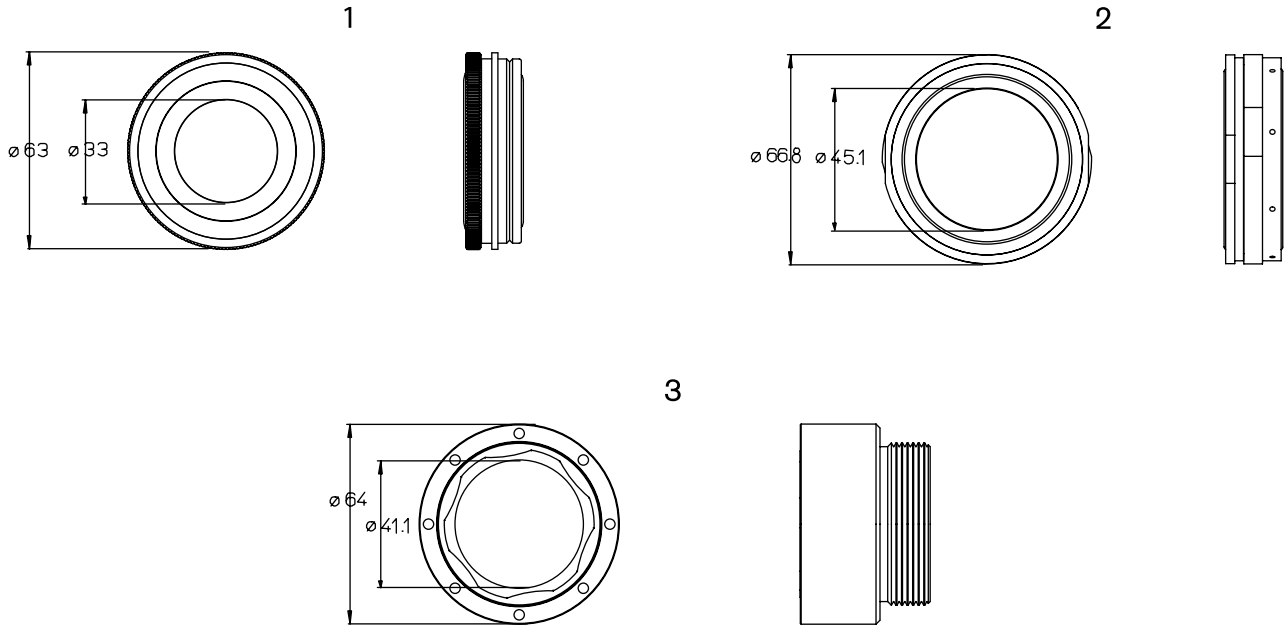
*PolyTetraFluoroEthylene is a fluorocarbon-based polymer and is commonly abbreviated PTFE. The Teflon® brand of PTFE is manufactured only by DuPont and is not sold by Centricut. Centricut purchases other brands of PTFE from various high quality manufacturers.



Centricut lens housings and assemblies

	Centricut part number	Reference number	Alternate reference	Description	Pkg qty
1	AM313-0200	T07135390200	LT85	Lens assembly - PLX 1.5" dia 5.0" F.L. .300" ET	1
	AM313-6900	MD7136096900	LT95	Lens assembly - PLX 1.5" dia 7.5" F.L. .300" ET	1
	AM313-0001		A100	Lens housing - 1.5" dia	1
2	AM313-0005	71360261	AL52	Gasket - PTFE* 1.5" lens housing	1
3	AM313-6182	MD7110965200, 71366182	LT105	Lens assembly - PLX 2.0" dia 5.0" F.L. .300" ET	1
	AM313-8467	MD7110965300, 71368467	LT110	Lens assembly - PLX 2.0" dia 7.5" F.L. .300" ET	1
	AM313-5400	MD7110965400	LT115	Lens assembly - PLX 2.0" dia 10.0" F.L. .300" ET	1
	AM313-0002		A105	Lens housing - 2.0" dia	1
4	AM313-8000	T07110968000	LT205	Lens assembly - PLX 1.5" dia 5.0" F.L. F.O. .300" ET	1
	AM313-8100	T07110968100	LT210	Lens assembly - PLX 1.5" dia 7.5" F.L. F.O. .300" ET	1
	AM313-0003		A107	Lens housing - 1.5" aluminum, Gemini	1
5	AM313-9513	71361393	AL149	Gasket - PTFE* 2.0" lens housing	1
6	AM313-1305	71501072	LT305	Lens assembly - PLX 1.5" dia 5.0" F.L. .300" ET	1
	AM313-1310	71501070	LT310	Lens assembly - PLX 1.5" dia 7.5" F.L. .300" ET	1
	AM313-1315	71502030	LT315	Lens assembly - PLX 1.5" dia 10.0" F.L. .300" ET	1
	AM313-50F0		A109	Lens housing - 5.0" FO NT	1
	AM313-75F0		A112	Lens housing - 7.5" FO NT	1
7	AM313-1071	71501071	AL249	Gasket	1

*PolyTetraFluoroEthylene is a fluorocarbon-based polymer and is commonly abbreviated PTFE. The Teflon® brand of PTFE is manufactured only by DuPont and is not sold by Centricut. Centricut purchases other brands of PTFE from various high quality manufacturers.



Simple mount lens housings (lens not included)

	Centricut part number	Reference number	Alternate reference	Description	Pkg qty
1	AM313-50NT			Simple mount 5.0" FL for NT	1
	AM313-75NT			Simple mount 7.5" FL for NT	1
2	AM313-EZ50F1			Simple mount 5" FL lens for F1	1
	AM313-EZ75F1			Simple mount for 7.5" for F1	1
	AM313-EZ10F1			Simple mount 10" FL lens for F1	1
3	AM313-1515			Simple mount 1.5" for 1.5" lens	1
	AM313-2015			Simple mount 2.0" for 1.5" lens	1
	AM313-2020			Simple mount 2.0" for 2.0" lens	1

Still sending lenses out for remount?

Save time and money with the Simple Mount for Amada laser cutting systems. The design allows replacement at the machine without the need for professional remounting or special tools.

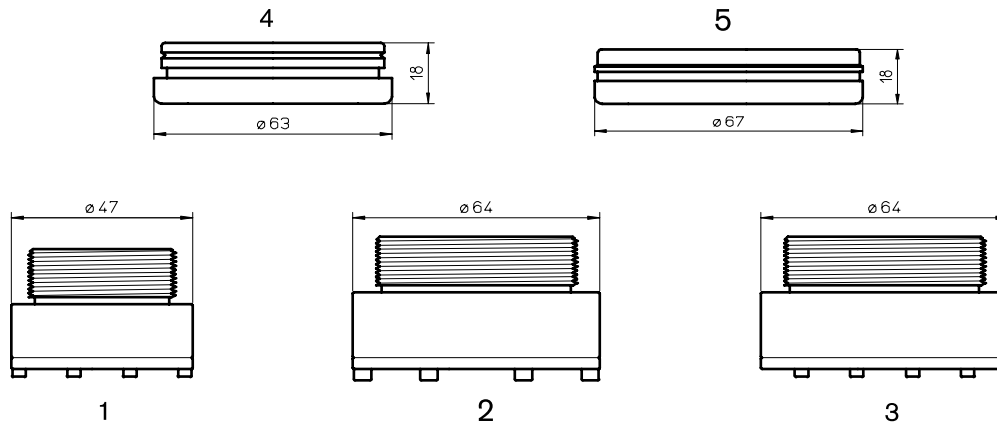
Saves money

- Replace only the lens, not the mount
- Eliminate the need for multiple lens mounts

Saves time

- Easier lens cleaning
- No special tools required





Optics

	Centricut part number	Reference number	Type	Diameter	Focal length	Edge thickness
Mounted lenses						
1	AM313-0306	81140306	PLX	1.5"	5.00"	.300"
	AM313-0400	81140400	PLX	1.5"	7.50"	.300"
2	AM313-9830	71369830	PLX	1.5"	5.00"	.300"
	AM313-9831	71369831	PLX	1.5"	7.50"	.300"
3	AM313-0307	81140307	PLX	2.0"	5.00"	.380"
	AM313-0186	81140186	PLX	2.0"	7.50"	.380"
4	AM313-1216	901216A	PLX	1.5"	5.00"	.300"
	AM313-8662	578662	PLX	1.5"	5.00"	.300"
	AM313-1215	901215A	PLX	1.5"	7.50"	.300"
	AM313-3110		PLX	1.5"	7.50"	.300"
5	AM313-10F1 NEW	680154-001	PLX	2.0"	10.00"	.380"
	AM313-50F1	71710059	PLX	2.0"	5.00"	.380"
	AM313-75F1	71710030	PLX	2.0"	7.50"	.380"
	AM313-0221	81140221	PLX	1.5"	3.75"	.300"
Ultra low absorption – mounted lenses						
1	AM313-0400ULA	81140400	PLX	1.5"	7.50"	.300"
2	AM313-9830ULA	71369830	PLX	1.5"	5.00"	.300"
	AM313-9831ULA	71369831	PLX	1.5"	7.50"	.300"
3	AM313-0307ULA	81140307	PLX	2.0"	5.00"	.380"
	AM313-0186ULA	81140186	PLX	2.0"	7.50"	.380"
4	AM313-1216ULA	901216A	PLX	1.5"	5.00"	.300"
	AM313-1215ULA	901215A	PLX	1.5"	7.50"	.300"

Non-mounted lenses						
	AM313-0305	81140305	PLX	1.1"	5.00"	.160"
	AM313-6602 NEW	726602	PLX	1.1"	7.50"	.160"
	AM313-0221NM	81140221	PLX	1.5"	3.75"	.300"
	AM313-0221	81140221	PLX	1.5"	3.75"	.300"
	AM313-0306NM	81140306	PLX	1.5"	5.00"	.300"
	AM313-1072	71501072	PLX	1.5"	5.00"	.300"
	AM313-0400NM	81140400	PLX	1.5"	7.50"	.300"
	AM313-1019NM	306068	PLX	1.5"	7.50"	.300"
	AM313-7070	71501070	PLX	1.5"	7.50"	.300"
	AM313-0307NM	81140307	PLX	2.0"	5.00"	.380"
	AM313-0186NM	81140186	PLX	2.0"	7.50"	.380"
Ultra low absorption – non-mounted lenses						
	AM313-0306NUL	81140306	PLX	1.5"	5.00"	.300"
	AM313-1072NUL	71501072	PLX	1.5"	5.00"	.300"
	AM313-7070NUL	71501070	PLX	1.5"	7.50"	.300"
	AM313-0400NUL	81140400	PLX	1.5"	7.50"	.300"
	AM313-0307NUL	81140307	PLX	2.0"	5.00"	.380"
	AM313-0186NUL	81140186	PLX	2.0"	7.50"	.380"

Centricut part number	Reference number	Type	Material	Diameter	Edge thickness	S1
Zero phase shift mirrors and total reflectors						
AM313-7524	647487, 47524-010	MMR	SI	1.5"	.375"	
AM313-8083	71198083	MMR	SI	2.0"	.200"	
AM313-7562	587562	MMR	CU	2.0"	.394"	4.3MCX
AM313-2861	612861	MMR	CU	2.0"	.394"	5.3MCX
AM313-4552 NEW	631246-117, 71374552	COL	CU	2.0"	.250"	6.0M
AM313-0562 NEW	631245-117, 71510562	COL	CU	2.0"	.250"	7.5M
AM313-4946 NEW	209379	TRZ	CU	2.0"	.394"	10MCC
AM313-4945 NEW	291218	TRZ	CU	2.0"	.394"	15MCX
AM313-8312	478312, 614835	TRZ	SI	3.0"	.250"	
AM313-8089	71198089	TRZ	SI	2.0"	.200"	
AM313-2093	87093	TRZ	SI	2.0"	.200"	
AM313-0064	270064	ZPS	SI	1.5"	.200"	PO-DEMRR
AM313-5252	805252	ZPS	SI	2.0"	.200"	
AM313-8084	61054, 71198084	ZPS	SI	3.0"	.200"	
AM313-8092	71198092	ZPS	SI	3.0"	.250"	
AM313-0397	71360397, 614835	ZPS	SI	3.0"	.250"	
AM313-7882 NEW		MMR	CU	2.0"	.394"	3MCX
AM313-2098 NEW		MMR	CU	2.0"	.394"	4.6MCC
AM313-3739	643739	PO	MO	2.0"	.200"	
AM313-3962	483962	MMR	CU	2.0"	.394"	5.7MCX
AM313-0641	690641	MMR	CU	2.0"	.394"	6.0MCC
AM313-4619	71514619, 383098	MMR-A	CU	2.0"	.394"	6.0MCX
AM313-4620	71514620, 867137	MMR-A	CU	2.0"	.394"	5.7MCX

Centricut part number	Reference number	Alternate reference	Description	Pkg qty	S2
Windows					
AM313-LSA		LSA 2.0	Window for 2.0 lens	1	9MCX

Centricut part number	Reference number	Material	Diameter	Edge thickness	S1/Reflectivity	
Output couplers						15MCX
AM313-8081	71198081	ZNSE	1.1"	.236"	20MCC-60%	10MCX
AM313-2134	182134	ZNSE	1.1"	.236"	20MCC-60%	50MCX
AM313-1656	641656	ZNSE	1.1"	.236"	PO-70%	
AM313-8093	71198093	ZNSE	1.5"	.315"	35MCC-60%	51.6MCX
AM313-5303	70503	ZNSE	1.5"	.315"	20MCC-40%	15MCX
AM313-3827 NEW	903827	ZNSE	1.5"	.315"	20MCC	10MCX
AM313-7405	497405	ZNSE	1.5"	.315"	20MCC-50%	
AM313-6469	426469	ZNSE	1.5"	.315"	25MCC-50%	
AM313-4977	204977	ZNSE	1.5"	.315"	35MCC	
Rear mirrors						
AM313-8087	71198087	GE	1.1"	.236"	20MCC-99.5%	
AM313-8094	71198094	GE	1.5"	.315"	35MCC-99.5%	
AM313-7088	667088	GE	1.5"	.315"	20MCC-99.5%	
AM313-9165		GE	1.5"	.315"	20MCC-99.5%	

Optics care

Centricut part number	Reference number	Description	Pkg qty
TR300-6452	N/A	Lens cleaning paper, Tiffen – 50 piece	1
AM313-SC50 NEW	SC50	Lens cleaning paper, Tresor – 50 piece	1
TR300-1115		Lens cleaning pre-cut cotton – 80 piece	1
TR300-SC20		Cotton swab – 20 piece	1
TR300-1010	AL1010	Dropper, lens cleaning fluid	1
TR300-255	AL255	Loupe, magnifying	1
TR300-271	AL271	Base, lens maintenance	1
TR300-7388	787388	Mirror polish (250 ml)	1
AM313-1260 NEW	351260-009	Lens Polarizing Filter – 1.5"	1
AM313-1280 NEW	351280-009	Lens Polarizing Filter – 2.0"	1
MZ335-115	ALI115/M	Indium wire – .8 mm x 125 mm (1.5" lens)	1
MZ335-120	ALI120/M	Indium wire – .8 mm x 160 mm (2.0" lens)	1



Centricut also manufactures consumables for most major mechanized plasma systems including ESAB, Kaliburn and Kjellberg



To learn more about Centricut's line of plasma consumables, visit: www.hypertherm.com/centricut

Centricut products deliver performance superior to the OEM, along with Hypertherm quality at a competitive price.

Hypertherm[®]
Cut with confidence[®]

PLASMA | LASER | WATER JET | AUTOMATION | SOFTWARE | CONSUMABLES



Providing options for sensor cone needs



Purchase new or refurbish your old sensor cone – either way, will save money and give the same quality as the OEM offering

NEW sensor cones

- For Amada, Mazak (Precitec), and Mitsubishi (Precitec) CO₂ laser cutting heads
- Delivering the same OEM performance at a value price
- Engineered and manufactured to Hypertherm's high quality standards

Sensor cone repair*

- For most major OEMs including Precitec, Trumpf, Amada, Mazak, Mitsubishi and Finn-Power laser systems at a fraction of the cost of new
- Fitted with new internal components and restored to factory specifications
- Backed by Centricut's limited one year warranty and 100% satisfaction guarantee

*Sensor cone repairs are not available in all regions

New sensor cones

Centricut part number	OEM	Reference number	Description
AM343-9107	Amada	ECO cone	Sensor cone – ECO
AM343-1690	Amada	71341690	Sensor cone – HS98
PT347-3323	Mazak	567123323A	Nozzle body HNPZ
PT347-0011	Mitsubishi	P0354-110-00002	Sensor cone HNZ
PT347-8001	Precitec	280010	Sensor cone 2.5Z/J
PT347-0522	Precitec	P0599-520-00002	Sensor cone LRC

Refurbished sensor cones

Centricut part number	OEM	Reference number	Description
AM999-HS95	Amada	71341621	Sensor repair HS95 (86 mm x 69 mm)
AM999-HS95M	Amada	71360091	Sensor repair HS95 mini (70 mm x 69 mm)
AM999-ECO	Amada	71399107	Sensor repair ECO
AM999-HS98	Amada	71341690	Sensor repair HS98
AM999-L3015C	Amada	71374509	Sensor repair L3015C
AM999-HPX	Amada		Sensor repair HPX
AM999-HPL	Amada	74810277	Sensor repair HP-L (red)
AM999-WACS	Amada	71502035	Sensor repair HP-X WACS
MZ999-HNPZ (HNP)	Mazak	567123323A1	Sensor repair HNP
PT999-HNZ	Mazak	56743300500	Sensor repair HNZ
MB999-429A	Mitsubishi	W429A	Sensor repair W429A
PT999-25ZJ	Mitsubishi	P0361-203-00001	Sensor repair 25ZJ
MB999-239	Mitsubishi	W239	Sensor repair W239
MB999-SE	Mitsubishi	P0594-820-00001	Sensor repair SE
PT999-DXN	Precitec	P0589-800-00001	Sensor repair DXN
PT999-YH27	Precitec	P0589-800-00001	Sensor repair YH27
PT999-YR30	Precitec	YR-30	Sensor repair YR-30
PT999-DZ	Precitec	281145	Sensor repair DZ
PT999-KN	Precitec	280549	Sensor repair KN
PT420-0125	Precitec		Sensor repair 25ZJ
PT999-HP2	Precitec	281672	Sensor repair HP/HP2Z

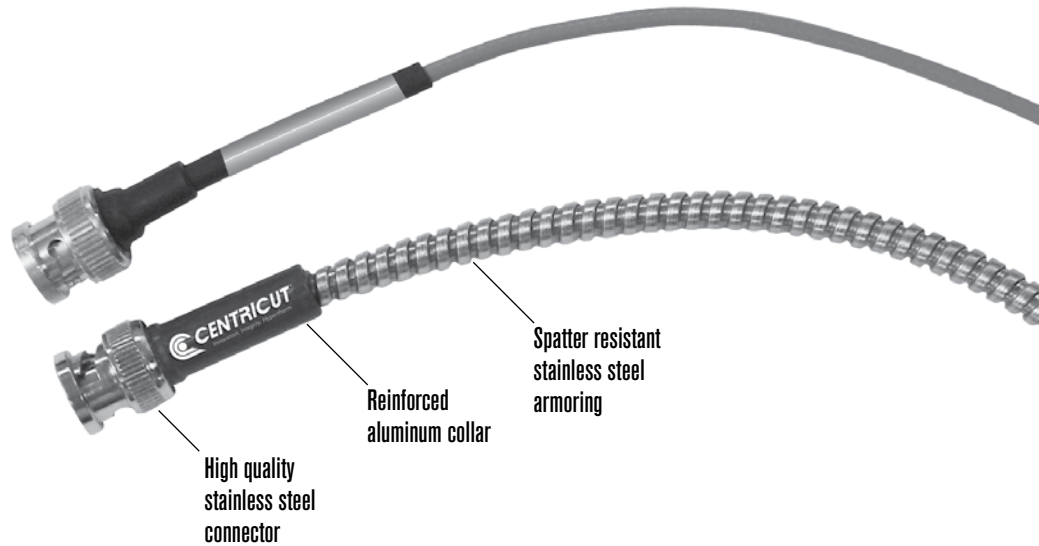
* Not available in all regions. Sensor cone repair is available for most sensor cones. Only a representation is listed above. For more information contact us at CTLaser@hypertherm.com

Armored sensor cables

Centricut armored sensor cables

Get the rugged toughness you need with Centricut armored sensor cables. Weaker designed cables require frequent changes, downtime and loss of production.

- Robust design
- Reinforced collar for longer life
- Extreme temperature rating (900°–1200° F)
- Guaranteed to outlast standard OEM cables



Armored sensor cables

Centricut part number	OEM	Reference number	Description
AM308-8965A	Amada	71398965	Sensor cable - armored 305 mm (premium)
AM313-1901A	Amada	71341630	Sensor cable - HS-5 305 mm (premium)
AM313-9851A	Amada	71369851	Sensor cable - armored 203 mm (premium)
CN306-0654A	Cincinnati	909654, 922686	Sensor cable - armored 114 mm (4.5")
CN306-0951A	Cincinnati	842951	Sensor cable - armored 140 mm (5.5")
MZ335-630A	Mazak		Sensor cable - armored 630 mm (25")
MZ335-1980A	Mazak	46683301980	Sensor cable - armored 280 mm (11")
MZ335-0111A	Mazak	4674330111	Sensor cable - armored 280 mm (11")
MZ335-1980	Mazak	46683301980	Sensor cable - armored 280 mm (11")
MZ335-0181A	Mazak	46743300181	Sensor cable - armored 317.5 mm (12.5")
MZ335-1330A	Mazak	46683301330	Sensor cable - armored 305 mm (12")
NT426-8677	NTC	4R028677-001	Sensor cable - armored 508 mm (20")
PT347-0101A	Precitec	P0360-100-00500	Sensor cable - armored 500 mm (20")
PT347-0181	Precitec	46743300181	Sensor cable 305 mm - armored (12")
PT347-1386	Precitec	281386, P0360-155-00500	Sensor cable - armored
TR301-7833	Trumpf	0227833	Sensor cable - armored 432 mm (17")
TR301-9983	Trumpf	359983, 342474	Sensor cable - armored 190 mm (7.5")
TR301-0930	Trumpf	280930	Sensor cable - armored 152 mm (6")
PT347-0250	Trumpf	342475	Sensor cable - armored 250 mm (9.85")

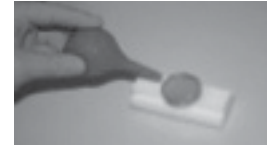
Lens cleaning tips

You will need:

- Scientific-grade acetone
- Air bulb
- Lens tissue
- Plastic lens holder
- Cotton swabs
- Eye dropper
- Rubber gloves

Step #1

Using rubber gloves, place lens in lens holder. Use air bulb to remove all loose contaminants from the optic. If the contaminants are still visible please proceed to step #2.



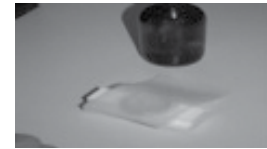
Step #2

Place a new piece of lens tissue over the optic, completely covering the optic



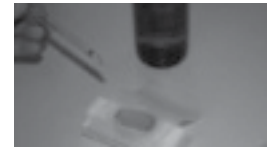
Step #3

Fill eye dropper 1/2 full with acetone.



Step #4

Drip acetone on the center of the optic until it is saturated to the outside diameter.



Step #5

Pull the lens tissue slowly across the optic. Going too fast will leave acetone residue behind. Acetone will evaporate when the tissue is dragged across the lens at the correct speed.



Step #6

If top side of lens is contaminated, repeat steps 1-5.



Step #7

Place clean optic in the machine quickly to avoid getting airborne particles on the clean optic.

If spots, pits, or scratches are still noticeable, the optic may need to be replaced

CO₂ laser optics

Optics key

Lens	
PFL	Pre-focus
MEN	Meniscus
PLX	Plano-convex
MTD	Mounted
Not MTD	Not mounted
LA	Low absorption
PO	Plano
ULA	Ultra low absorption

Mirrors	
CU	Copper
GAAS	Gallium arsenide
SI	Silicon
GE	Germanium
ZNSE	Zinc-selenide
PS	Phase shift
MMR	Maximum metal reflector
ATFR	Absorbing thin film reflector
TRZ	Total reflector – zero phase shift
ZPS	Zero phase shift
OC	Output coupler
RM	Rear mirror
COL-I	Collimator input
COL-O	Collimator output
AO	Adaptive optic
MO	Molybdenum
UC	Uncoated
M CX	Convex
M CC	Concave

Measurements	
DIA	Diameter
FL	Focal length
ET	Edge thickness

How to handle optics

Follow these easy steps, when cleaning or changing your optic, to help maximize the life and performance of your lens

- Avoid touching coated surfaces of the lens and hold the optic by its sides
- Wear powder-free finger cots or latex gloves when handling
- Do not use any tools or sharp objects when handling the optic or when removing it from its packaging
- Ensure the work surface is clean and free of oils, grease and dirt
- Do not place the optic on hard surfaces as they scratch easily
- Once the optic has been unpacked, carefully place it on the lens tissue in which it was originally wrapped

Optics disposal

It is important to dispose of used laser optics at a licensed industrial waste facility which is in compliance with all local, state, and federal regulations. If you don't have access to a licensed industrial waste facility, and purchased your laser optics through Centricut, you may return them to Centricut for proper disposal. This service is only available to Centricut customers.

All optics returned to Centricut must:

- Include return authorization and invoice numbers
- Be sealed in a plastic bag to minimize any hazards
- Remove excess ZnSe powder prior to sealing

*Acceptance of goods will be refused if not packaged correctly or if the return authorization number isn't included



Technical support

Our technical service team can answer questions about any laser cutting system. Whether it's a question about a part, a system, or for guidance on how to optimize performance, our experts can help.

- We stand behind our products with industry-leading technical expertise
- OEM trained technicians on staff with over 25 years experience
- Free application support for all laser OEMs



Contact us at: CTlaser@hypertherm.com

Broadest product line in the industry

Trumpf



Bystronic



Amada



Mazak



Mitsubishi



Precitec



Prima



NTC



Tanaka



For more information on Centricut laser products,
visit www.hypertherm.com/centricut/laser

Hypertherm and Centricut are trademarks of Hypertherm Inc., and may be registered in the United States and/or other countries. All other trademarks are the property of their respective owners.

One of Hypertherm's long-standing core values is a focus on minimizing our impact on the environment. Doing so is critical to our, and our customers' success. We are always striving to become better environmental stewards; it is a process we care deeply about.

© 9/2013 Hypertherm Inc. Revision 4



Hypertherm[®]
Cut with confidence[®]

