



## *CO<sub>2</sub> laser consumables – GHT-SHT®*



***Hypertherm®***

### Highest quality products

- OEM quality
- OEM-approved optics
- 100% satisfaction guarantee

### Technical service

OEM-trained technicians on staff with over 25 years of experience.

Free application support for all laser OEMs.

We stand behind our products with industry-leading technical expertise.

### Chemical code key

#### Lens

|         |                |
|---------|----------------|
| PFL     | Pre-focus      |
| MEN     | Meniscus       |
| PLX     | Plano-convex   |
| MTD     | Mounted        |
| Not MTD | Not mounted    |
| LA      | Low absorption |
| PO      | Plano          |

#### Mirrors

|       |                                    |
|-------|------------------------------------|
| CU    | Copper                             |
| GAAS  | Gallium arsenide                   |
| SI    | Silicon                            |
| GE    | Germanium                          |
| ZNSE  | Zinc-selenide                      |
| PS    | Phase shift                        |
| MMR   | Maximum metal reflector            |
| ATFR  | Absorbing thin film reflector      |
| TRZ   | Total reflector – zero phase shift |
| ZPS   | Zero phase shift                   |
| OC    | Output coupler                     |
| RM    | Rear mirror                        |
| COL-I | Collimator input                   |
| COL-O | Collimator output                  |
| AO    | Adaptive optic                     |
| MO    | Molybdenum                         |
| UC    | Uncoated                           |
| MCX   | Convex                             |
| MCC   | Concave                            |

#### Measurements

|     |                |
|-----|----------------|
| DIA | Diameter       |
| FL  | Focal length   |
| ET  | Edge thickness |

#### Nozzles

|       |                            |
|-------|----------------------------|
| CP    | Chrome plated              |
| HD/HP | High density/high pressure |

### Product is available for the following major OEM brands

Amada®

---

Behrens®

---

Bystronic®

---

Cincinnati®

---

Finn-Power®

---

GHT-SHT®

---

Haas®

---

Haco®

---

Hankwang®

---

Laserdyne®

---

Laser Lab®

---

LVD®

---

Mazak®

---

Mitsubishi®

---

Murata Wiedemann® – Fanuc®

---

Niigata®

---

NTC® – Beyeler®

---

Precitec®

---

Prima Industrie®

---

Raskin®

---

Rouchaud®

---

Salvagnini®

---

Strippit®

---

Tanaka®

---

Thyssen®

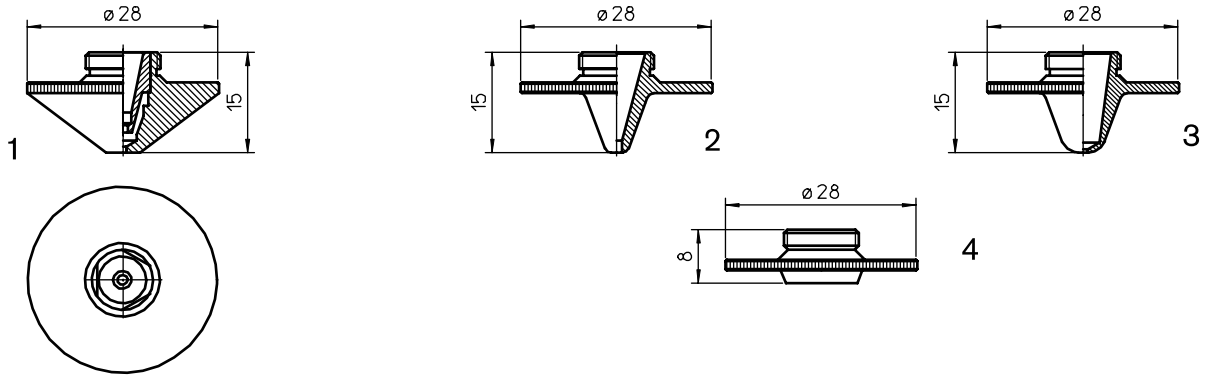
---

Trumpf®

---

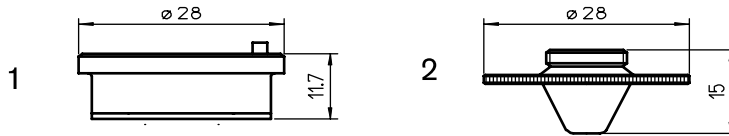
Valfiv®

---



**Consumables**

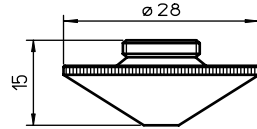
| Centricut part number | Reference number | Alternate reference | Description                | Pkg qty |
|-----------------------|------------------|---------------------|----------------------------|---------|
| PT358-0669            | Centricut design | L669                | Nozzle – 0.8 mm double     | 1       |
| PT358-0010            | Centricut design | L660                | Nozzle – 1.0 mm double     | 1       |
| PT358-0125            | Centricut design | L661                | Nozzle – 1.25 mm double    | 1       |
| PT358-0015            | Centricut design | L662                | Nozzle – 1.5 mm double     | 1       |
| PT358-0018            | Centricut design | L663                | Nozzle – 1.8 mm double     | 1       |
| PT358-0020            | Centricut design | L664                | Nozzle – 2.0 mm double     | 1       |
| PT358-0023            | Centricut design | L665                | Nozzle – 2.3 mm double     | 1       |
| PT358-0007            | Centricut design | L666                | Nozzle – 2.5 mm double     | 1       |
| PT358-0030            | Centricut design | L667                | Nozzle – 3.0 mm double     | 1       |
| PT358-0035            | Centricut design | L668                | Nozzle – 3.5 mm double     | 1       |
| 1 PT358-0008CP        | Centricut design | L669X               | Nozzle – 0.8 mm double CP  | 1       |
| PT358-0010CP          | Centricut design | L660X               | Nozzle – 1.0 mm double CP  | 1       |
| PT358-0125CP          | Centricut design | L661X               | Nozzle – 1.25 mm double CP | 1       |
| PT358-0015CP          | Centricut design | L662X               | Nozzle – 1.5 mm double CP  | 1       |
| PT358-0018CP          | Centricut design | L663X               | Nozzle – 1.8 mm double CP  | 1       |
| PT358-0020CP          | Centricut design | L664X               | Nozzle – 2.0 mm double CP  | 1       |
| PT358-0023CP          | Centricut design | L665X               | Nozzle – 2.3 mm double CP  | 1       |
| PT358-0025CP          | Centricut design | L666X               | Nozzle – 2.5 mm double CP  | 1       |
| PT358-0030CP          | Centricut design | L667X               | Nozzle – 3.0 mm double CP  | 1       |
| PT358-0035CP          | Centricut design | L668X               | Nozzle – 3.5 mm double CP  | 1       |
| 2 PT406-0001          | Centricut design | L738                | Nozzle – 1.0 mm HD         | 1       |
| PT406-0002            | Centricut design | L739                | Nozzle – 1.25 mm HD        | 1       |
| PT406-0003            | Centricut design | L740                | Nozzle – 1.5 mm HD         | 1       |
| 3 PT406-0008          | Centricut design | L792                | Nozzle – 0.8 mm            | 1       |
| PT406-0010            | Centricut design | L793                | Nozzle – 1.0 mm            | 1       |
| PT406-0125            | Centricut design | L794                | Nozzle – 1.25 mm           | 1       |
| PT406-0015            | Centricut design | L742                | Nozzle – 1.5 mm            | 1       |
| PT406-0018            | Centricut design | L743                | Nozzle – 1.8 mm            | 1       |
| PT406-0020            | Centricut design | L744                | Nozzle – 2.0 mm            | 1       |
| 4 PT406-0043          | Centricut design | AL43                | Nozzle adapter             | 1       |



**Consumables**

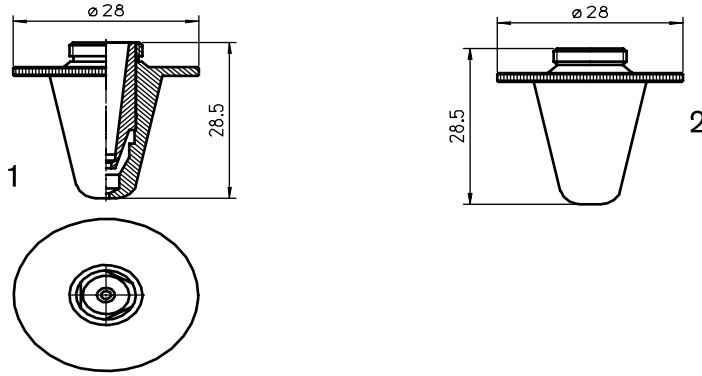
| Centricut part number | Reference number               | Alternate reference | Description                    | Pkg qty  |
|-----------------------|--------------------------------|---------------------|--------------------------------|----------|
| 1 <b>PT348-1330</b>   | <b>281330, P0571-260-00001</b> | <b>AL131</b>        | <b>Nozzle holder – ceramic</b> | <b>1</b> |
| PT348-1051            | P0571-1051-00001               | AL355               | Nozzle holder – KT B2"         | 1        |
| PT350-1590            | 281590, P0591-569-00008        | L247                | Nozzle – 0.8 mm                | 1        |
| PT350-1331            | 281331, P0591-561-00010        | L162                | Nozzle – 1.0 mm                | 1        |
| PT350-1351            | 281351, P0591-562-00012        | L130                | Nozzle – 1.25 mm               | 1        |
| PT350-1352            | 281352, P0591-563-00015        | L131                | Nozzle – 1.5 mm                | 1        |
| PT350-0017            |                                | L248                | Nozzle – 1.7 mm                | 1        |
| PT350-1353            | 281353, P0591-564-00018        | L153                | Nozzle – 1.8 mm                | 1        |
| PT350-1354            | 281354, P0591-565-00020        | L132                | Nozzle – 2.0 mm                | 1        |
| PT350-0023            |                                | L154                | Nozzle – 2.3 mm                | 1        |
| PT350-1591            | 281591, P0591-566-00025        | L155                | Nozzle – 2.5 mm                | 1        |
| 2 PT350-0030          |                                | L156                | Nozzle – 3.0 mm                | 1        |
| PT350-1590CP          | 281590, P0591-569-00008        | L247X               | Nozzle – 0.8 mm CP             | 1        |
| PT350-1331CP          | 281331, P0591-561-00010        | L162X               | Nozzle – 1.0 mm CP             | 1        |
| PT350-1351CP          | 281351, P0591-562-00012        | L130X               | Nozzle – 1.25 mm CP            | 1        |
| PT350-1352CP          | 281352, P0591-563-00015        | L131X               | Nozzle – 1.5 mm CP             | 1        |
| PT350-0001CP          |                                | L248X               | Nozzle – 1.7 mm CP             | 1        |
| PT350-1353CP          | 281353, P0591-564-00018        | L153X               | Nozzle – 1.8 mm CP             | 1        |
| PT350-1354CP          | 281354, P0591-565-00020        | L132X               | Nozzle – 2.0 mm CP             | 1        |
| PT350-0002CP          |                                | L154X               | Nozzle – 2.3 mm CP             | 1        |
| PT350-1591CP          | 281591, P0591-566-00025        | L155X               | Nozzle – 2.5 mm CP             | 1        |
| PT350-0003CP          |                                | L156X               | Nozzle – 3.0 mm CP             | 1        |

**New items shown in bold**



**Consumables**

| Centricut part number | Reference number        | Alternate reference | Description            | Pkg qty |
|-----------------------|-------------------------|---------------------|------------------------|---------|
| PT345-0008            |                         | L935                | Nozzle – 0.8 mm HD     | 1       |
| PT345-1548            | 281548, P0591-571-00010 | L234                | Nozzle – 1.0 mm HD     | 1       |
| PT345-1549            | 281549, P0591-572-00012 | L235                | Nozzle – 1.25 mm HD    | 1       |
| PT345-1463            | 281463, P0591-573-00015 | L236                | Nozzle – 1.5 mm HD     | 1       |
| PT345-0001            | P0591-574-00018         | L237                | Nozzle – 1.8 mm HD     | 1       |
| PT345-1550            | 281550, P0591-575-00020 | L238                | Nozzle – 2.0 mm HD     | 1       |
| PT345-0003            |                         | L239                | Nozzle – 2.3 mm HD     | 1       |
| PT345-1551            | 281551, P0591-576-00025 | L240                | Nozzle – 2.5 mm HD     | 1       |
| PT345-1552            |                         | L936                | Nozzle – 2.75 mm HD    | 1       |
| PT345-0002            |                         | L241                | Nozzle – 3.0 mm HD     | 1       |
| PT345-0005            |                         | L826                | Nozzle – 3.2 mm HD     | 1       |
| PT345-0006            |                         | L827                | Nozzle – 3.5 mm HD     | 1       |
| PT345-0004            |                         | L828                | Nozzle – 4.0 mm HD     | 1       |
| PT345-0007            |                         | L829                | Nozzle – 4.5 mm HD     | 1       |
| 1 PT345-1547CP        |                         | L935X               | Nozzle – 0.8 mm HD CP  | 1       |
| PT345-1548CP          | 281548, P0591-571-00010 | L234X               | Nozzle – 1.0 mm HD CP  | 1       |
| PT345-1549CP          | 281549, P0591-572-00012 | L235X               | Nozzle – 1.25 mm HD CP | 1       |
| PT345-1463CP          | 281463, P0591-573-00015 | L236X               | Nozzle – 1.5 mm HD CP  | 1       |
| PT345-0001CP          |                         | L237X               | Nozzle – 1.8 mm HD CP  | 1       |
| PT345-1550CP          | 281550, P0591-575-00020 | L238X               | Nozzle – 2.0 mm HD CP  | 1       |
| PT345-0003CP          |                         | L239X               | Nozzle – 2.3 mm HD CP  | 1       |
| PT345-1551CP          | 281551, P0591-576-00025 | L240X               | Nozzle – 2.5 mm HD CP  | 1       |
| PT345-1552CP          |                         | L936X               | Nozzle – 2.75 mm HD CP | 1       |
| PT345-0002CP          |                         | L241X               | Nozzle – 3.0 mm HD CP  | 1       |
| PT345-0005CP          |                         | L826X               | Nozzle – 3.2 mm HD CP  | 1       |
| PT345-0006CP          |                         | L827X               | Nozzle – 3.5 mm HD CP  | 1       |
| PT345-0004CP          |                         | L828X               | Nozzle – 4.0 mm HD CP  | 1       |
| PT345-0007CP          |                         | L829X               | Nozzle – 4.5 mm HD CP  | 1       |



**Consumables**

| Centricut part number | Reference number | Alternate reference | Description                  | Pkg qty |
|-----------------------|------------------|---------------------|------------------------------|---------|
| PT420-0010            | Centricut design | L680                | Nozzle – 1.0 mm long double  | 1       |
| PT420-0125            | Centricut design | L681                | Nozzle – 1.25 mm long double | 1       |
| PT420-0015            | Centricut design | L682                | Nozzle – 1.5 mm long double  | 1       |
| PT420-0018            | Centricut design | L683                | Nozzle – 1.8 mm long double  | 1       |
| 1 PT420-0020          | Centricut design | L684                | Nozzle – 2.0 mm long double  | 1       |
| PT420-0023            | Centricut design | L685                | Nozzle – 2.3 mm long double  | 1       |
| PT420-0025            | Centricut design | L686                | Nozzle – 2.5 mm long double  | 1       |
| PT420-0030            | Centricut design | L687                | Nozzle – 3.0 mm long double  | 1       |
| PT420-0035            | Centricut design | L688                | Nozzle – 3.5 mm long double  | 1       |
| PT390-0010            | P0573-563-00010  | L308                | Nozzle – 1.0 mm long         | 1       |
| PT390-0012            | P0573-563-00012  | L307                | Nozzle – 1.25 mm long        | 1       |
| PT390-0015            | P0573-563-00015  | L382                | Nozzle – 1.5 mm long         | 1       |
| PT390-0018            |                  | L383                | Nozzle – 1.8 mm long         | 1       |
| 2 PT390-0020          | P0573-564-00020  | L437                | Nozzle – 2.0 mm long         | 1       |
| PT390-0023            | P0573-565-00023  | L438                | Nozzle – 2.3 mm long         | 1       |
| PT390-0025            | P0573-566-00025  | L439                | Nozzle – 2.5 mm long         | 1       |
| PT390-0030            |                  | L440                | Nozzle – 3.0 mm long         | 1       |

**Optics care**

| Centricut part number | Reference number | Description                            | Pkg qty |
|-----------------------|------------------|--|---------|
| TR300-6452            | N/A              | CO <sub>2</sub> Lens paper (50 sheets) | 1       |
| TR300-1010            | AL1010           | Dropper, lens cleaning fluid           | 1       |
| TR300-255             | AL255            | Loupe, magnifying                      | 1       |
| TR300-271             | AL271            | Base, lens maintenance                 | 1       |
| TR300-7388            | 787388           | Mirror polish (250 ml)                 | 1       |





***Broadest product line in the industry!***



**Hypertherm, Inc.**  
Hanover, NH 03755 USA  
603-643-3441 Tel

**Hypertherm Europe B.V.**  
4704 SE Roosendaal, Nederland  
31 165 596907 Tel

**Hypertherm (Shanghai)  
Trading Co., Ltd.**  
PR China 200052  
86-21 5258 3330 /1 Tel

**Hypertherm (S) Pte Ltd.**  
Singapore 349567  
65 6 841 2489 Tel

**Hypertherm (India) Thermal  
Cutting Pvt. Ltd.**  
Chennai, Tamil Nadu  
91 0 44 2834 5361 Tel

**Hypertherm Brasil Ltda.**  
Guarulhos, SP - Brasil  
55 11 2409 2636 Tel

**Hypertherm México, S.A. de C.V.**  
México, D.F.  
52 55 5681 8109 Tel

[www.hypertherm.com](http://www.hypertherm.com)



***Hypertherm***<sup>®</sup>

***Cut with confidence***<sup>®</sup>