



CO₂ laser consumables – NTC® – Beyeler®



Hypertherm®

Highest quality products

- OEM quality
- OEM-approved optics
- 100% satisfaction guarantee

Technical service

OEM-trained technicians on staff with over 25 years of experience.

Free application support for all laser OEMs.

We stand behind our products with industry-leading technical expertise.

Chemical code key

Lens

PFL	Pre-focus
MEN	Meniscus
PLX	Plano-convex
MTD	Mounted
Not MTD	Not mounted
LA	Low absorption
PO	Plano

Mirrors

CU	Copper
GAAS	Gallium arsenide
SI	Silicon
GE	Germanium
ZNSE	Zinc-selenide
PS	Phase shift
MMR	Maximum metal reflector
ATFR	Absorbing thin film reflector
TRZ	Total reflector – zero phase shift
ZPS	Zero phase shift
OC	Output coupler
RM	Rear mirror
COL-I	Collimator input
COL-O	Collimator output
AO	Adaptive optic
MO	Molybdenum
UC	Uncoated
MCX	Convex
MCC	Concave

Measurements

DIA	Diameter
FL	Focal length
ET	Edge thickness

Nozzles

CP	Chrome plated
HD/HP	High density/high pressure

Product is available for the following major OEM brands

Amada®

Behrens®

Bystronic®

Cincinnati®

Finn-Power®

GHT-SHT®

Haas®

Haco®

Hankwang®

Laserdyne®

Laser Lab®

LVD®

Mazak®

Mitsubishi®

Murata Wiedemann® – Fanuc®

Niigata®

NTC® – Beyeler®

Precitec®

Prima Industrie®

Raskin®

Rouchaud®

Salvagnini®

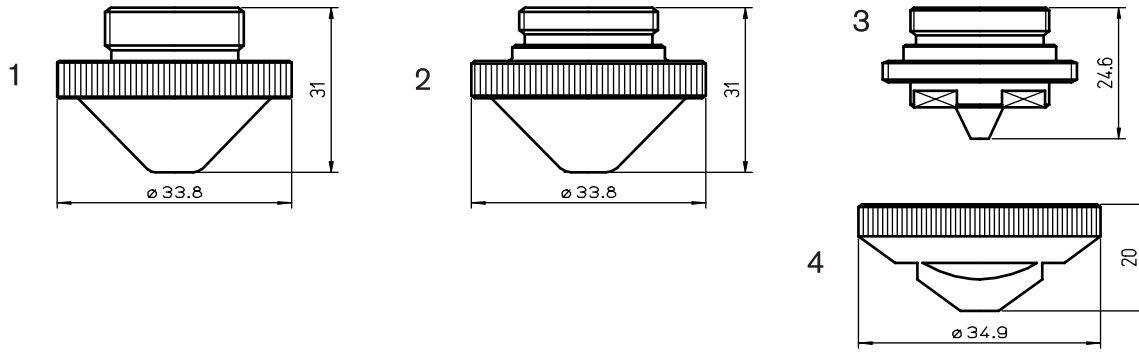
Strippit®

Tanaka®

Thyssen®

Trumpf®

Valfiv®



Consumables

Centricut part number	Reference number	Alternate reference	Description	Pkg qty
NT401-0001		L454	Nozzle – 1.0 mm	1
NT401-0002		L455	Nozzle – 1.2 mm	1
1 NT401-0003		L456	Nozzle – 1.5 mm	1
NT401-0004		L457	Nozzle – 2.0 mm	1
NT401-0005		L458	Nozzle – 2.5 mm	1
NT401-0006		L459	Nozzle – 3.0 mm	1
NT382-3738	4R019681	L1090	Nozzle – 1.0 mm	1
NT382-3737	4R023668	L1091	Nozzle – 1.2 mm	1
NT382-3904	4R020576	L1092	Nozzle – 1.5 mm	1
2 NT382-3739	4R019680	L1093	Nozzle – 2.0 mm	1
NT382-0025		L1096	Nozzle – 2.5 mm	1
NT382-3905	4R019770	L1094	Nozzle – 3.0 mm	1
NT382-0040		L1095	Nozzle – 4.0 mm	1
3 NT382-0001		L1100	Nozzle – 1.7 mm w/holes	1
4 NT382-0002		AL262	Retainer nut	1

Consumables

Centricut part number	Reference number	Alternate reference	Description	Pkg qty
NT426-0515	4R018705-001		Nozzle – 1.5 mm ceramic standard	1
NT426-0520	4R018705-002		Nozzle – 2.0 mm ceramic standard	1
NT426-3962	4R003962-001		Cap – nozzle (standard)	1
NT426-6515	4R008865-002		Nozzle – 1.5 mm ceramic (small)	1
NT426-6520	4R008865-001		Nozzle – 2.0 mm ceramic (small)	1
NT426-8866	4R008866-001		Cap – nozzle (small)	1
NT426-8415	4R018452-001		Flange – 0.15" (new style)	1
NT426-8430	4R18452-002		Flange – 0.30" (new style)	1
NT426-4446	4R004446-001		Flange – 0.15" (old style)	1
NT426-6511	4R006511-001		Flange – 0.30" (old style)	1
NT426-8450	4R032035-001		Flange – 0.50" (new style)	1
NT426-2632	3R002632-G03		Nozzle holder – ceramic (old style)	1
NT426-6928	3R016928-G01		Nozzle holder – ceramic (new style)	1
NT426-3765	4R003765-001		Nozzle nut	1
NT426-3540	4R003540-001		Stylus	1
NT426-2720	4R012720-001		Stylus adaptor	1
NT426-8677			Sensor cable – armored 508 mm	1
NT426-1682	4R029911-001		Sensor cable – armored 216 mm	1

New items shown in bold

Optics

Centricut part number	Reference number	Type	Diameter	Focal length	Edge thickness
Lenses					
NT375-6491	706491	PLX	1.5"	5.0"	.160"
NT375-8662	578662	PLX	1.5"	5.0"	.300"
NT375-4494	634494	PLX	2.0"	7.5"	.300"

Centricut part number	Reference number	Material	Diameter	Edge thickness
Phase shift mirrors				
NT375-8091	61785	SI	3.0"	.250"

Optics care

Centricut part number	Reference number	Description	Pkg qty
TR300-6452	N/A	CO ₂ Lens paper (50 sheets)	1
TR300-SC20		Cotton swab – 20 piece	1
TR300-1115		Lens cleaning pre-cut cotton –100 piece	1
TR300-1010	AL1010	Dropper, lens cleaning fluid	1
TR300-255	AL255	Loupe, magnifying	1
TR300-271	AL271	Base, lens maintenance	1
TR300-7388	787388	Mirror polish (250 ml)	1

New items shown in bold



Broadest product line in the industry!



Hypertherm, Inc.
Hanover, NH 03755 USA
603-643-3441 Tel

Hypertherm Europe B.V.
4704 SE Roosendaal, Nederland
31 165 596907 Tel

**Hypertherm (Shanghai)
Trading Co., Ltd.**
PR China 200052
86-21 5258 3330 /1 Tel

Hypertherm (S) Pte Ltd.
Singapore 349567
65 6 841 2489 Tel

**Hypertherm (India) Thermal
Cutting Pvt. Ltd.**
Chennai, Tamil Nadu
91 0 44 2834 5361 Tel

Hypertherm Brasil Ltda.
Guarulhos, SP - Brasil
55 11 2409 2636 Tel

Hypertherm México, S.A. de C.V.
México, D.F.
52 55 5681 8109 Tel

www.hypertherm.com



Hypertherm[®]

Cut with confidence[®]