



CO₂ laser consumables – Prima Industrie®



Hypertherm®

Highest quality products

- OEM quality
- OEM-approved optics
- 100% satisfaction guarantee

Technical service

OEM-trained technicians on staff with over 25 years of experience.

Free application support for all laser OEMs.

We stand behind our products with industry-leading technical expertise.

Chemical code key

Lens

| | |
|---------|----------------|
| PFL | Pre-focus |
| MEN | Meniscus |
| PLX | Plano-convex |
| MTD | Mounted |
| Not MTD | Not mounted |
| LA | Low absorption |
| PO | Plano |

Mirrors

| | |
|-------|------------------------------------|
| CU | Copper |
| GAAS | Gallium arsenide |
| SI | Silicon |
| GE | Germanium |
| ZNSE | Zinc-selenide |
| PS | Phase shift |
| MMR | Maximum metal reflector |
| ATFR | Absorbing thin film reflector |
| TRZ | Total reflector – zero phase shift |
| ZPS | Zero phase shift |
| OC | Output coupler |
| RM | Rear mirror |
| COL-I | Collimator input |
| COL-O | Collimator output |
| AO | Adaptive optic |
| MO | Molybdenum |
| UC | Uncoated |
| MCX | Convex |
| MCC | Concave |

Measurements

| | |
|-----|----------------|
| DIA | Diameter |
| FL | Focal length |
| ET | Edge thickness |

Nozzles

| | |
|-------|----------------------------|
| CP | Chrome plated |
| HD/HP | High density/high pressure |

Product is available for the following major OEM brands

Amada®

Behrens®

Bystronic®

Cincinnati®

Finn-Power®

GHT-SHT®

Haas®

Haco®

Hankwang®

Laserdyne®

Laser Lab®

LVD®

Mazak®

Mitsubishi®

Murata Wiedemann® – Fanuc®

Niigata®

NTC® – Beyeler®

Precitec®

Prima Industrie®

Raskin®

Rouchaud®

Salvagnini®

Strippit®

Tanaka®

Thyssen®

Trumpf®

Valfiv®



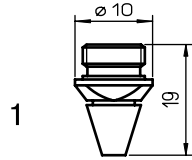
Consumables

| Centricut part number | Reference number | Alternate reference | Description | Pkg qty |
|-----------------------|------------------|---------------------|---|---------|
| PR331-4102 | 490.76.102 | L70 | Nozzle – 0.3 mm cylindrical | 1 |
| PR331-4102X | 490.76.102 | L3070 | Nozzle – 0.3 mm cylindrical (10 pack) | 10 |
| PR331-0001B | | L74 | Nozzle – 1.0 mm brass cylindrical | 1 |
| PR331-0001BX | | L3074 | Nozzle – 1.0 mm brass cylindrical (10 pack) | 10 |
| PR331-0001 | | L418 | Nozzle – 1.0 mm cylindrical | 1 |
| PR331-0001X | | L30418 | Nozzle – 1.0 mm cylindrical (10 pack) | 10 |
| PR331-0002 | | L416 | Nozzle – 1.2 mm cylindrical | 1 |
| PR331-0002X | | L30416 | Nozzle – 1.2 mm cylindrical (10 pack) | 10 |
| PR331-3321B | 485.73.321 | L54 | Nozzle – 1.5 mm brass cylindrical | 1 |
| PR331-3321BX | 485.73.321 | L3054 | Nozzle – 1.5 mm brass cylindrical (10 pack) | 10 |
| PR331-3321C | | L419 | Nozzle – 1.5 mm cylindrical | 1 |
| PR331-3321CX | | L30419 | Nozzle – 1.5 mm cylindrical (10 pack) | 10 |
| PR331-0003 | | L417 | Nozzle – 1.7 mm cylindrical | 1 |
| PR331-0003X | | L30417 | Nozzle – 1.7 mm cylindrical (10 pack) | 10 |
| PR331-3322B | 485.73.322 | L55 | Nozzle – 2.0 mm brass cylindrical | 1 |
| PR331-3322BX | 485.73.322 | L3055 | Nozzle – 2.0 mm brass cylindrical (10 pack) | 10 |
| PR331-322C | | L420 | Nozzle – 2.0 mm cylindrical | 1 |
| PR331-322CX | | L30420 | Nozzle – 2.0 mm cylindrical (10 pack) | 10 |
| PR331-3323B | 485.73.323 | L204 | Nozzle – 2.5 mm brass cylindrical | 1 |
| PR331-3323BX | 485.73.323 | L30204 | Nozzle – 2.5 mm brass cylindrical (10 pack) | 10 |
| PR331-3323C | | L421 | Nozzle – 2.5 mm cylindrical | 1 |
| PR331-3323CX | | L30421 | Nozzle – 2.5 mm cylindrical (10 pack) | 10 |
| PR331-3324B | 485.73.324 | L205 | Nozzle – 3.0 mm brass cylindrical | 1 |
| PR331-3324BX | 485.73.324 | L30205 | Nozzle – 3.0 mm brass cylindrical (10 pack) | 10 |
| PR331-3324 | | L422 | Nozzle – 3.0 mm cylindrical | 1 |
| PR331-3324X | | L30422 | Nozzle – 3.0 mm cylindrical (10 pack) | 10 |
| PR331-0001CP | | L418X | Nozzle – 1.0 mm CP | 1 |
| PR331-0001CPX | | L30418X | Nozzle – 1.0 mm CP (10 pack) | 10 |
| PR331-0002CP | | L416X | Nozzle – 1.2 mm CP | 1 |
| PR331-0002CPX | | L30416X | Nozzle – 1.2 mm CP (10 pack) | 10 |
| PR331-0321CCP | 485.73.421 | L419X | Nozzle – 1.5 mm CP | 1 |
| PR331-0321CCPX | 485.73.421 | L30419X | Nozzle – 1.5 mm CP (10 pack) | 10 |
| PR331-0003CP | | L417X | Nozzle – 1.7 mm CP | 1 |
| PR331-0003CPX | | L30417X | Nozzle – 1.7 mm CP (10 pack) | 10 |
| PR331-322CCP | 485.73.422 | L420X | Nozzle – 2.0 mm CP | 1 |
| PR331-322CCPX | 485.73.422 | L30420X | Nozzle – 2.0 mm CP (10 pack) | 10 |
| PR331-3323CCP | 485.73.423 | L421X | Nozzle – 2.5 mm CP | 1 |
| PR331-3323CCPX | 485.73.423 | L30421X | Nozzle – 2.5 mm CP (10 pack) | 10 |
| PR331-3324CP | 485.73.424 | L422X | Nozzle – 3.0 mm CP | 1 |
| PR331-3324CPX | 485.73.424 | L30422X | Nozzle – 3.0 mm CP (10 pack) | 10 |
| PR331-0302 | 490.1N.302 | L1246 | Nozzle – 2.5 brass short | 1 |
| PR331-0302X | 490.1N.302 | L301246 | Nozzle – 2.5 brass short (10 pack) | 10 |

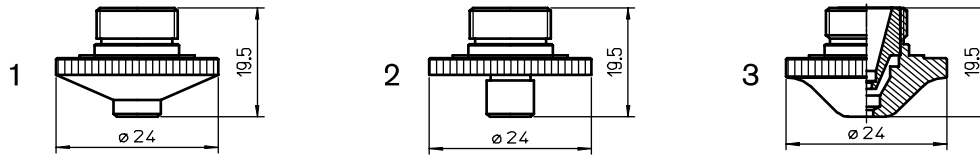


Consumables

| Centricut part number | Reference number | Alternate reference | Description | Pkg qty |
|-----------------------|------------------|---------------------|------------------------------|---------|
| PR393-0001 | | L631 | Nozzle – 0.3 mm | 1 |
| PR393-0001X | | L30631 | Nozzle – 0.3 mm (10 pack) | 10 |
| PR393-0002 | | L632 | Nozzle – 1.0 mm | 1 |
| PR393-0002X | | L30632 | Nozzle – 1.0 mm (10 pack) | 10 |
| PR393-0003 | | L637 | Nozzle – 1.2 mm | 1 |
| PR393-0003X | | L30637 | Nozzle – 1.2 mm (10 pack) | 10 |
| PR393-0004 | | L633 | Nozzle – 1.5 mm | 1 |
| PR393-0004X | | L30633 | Nozzle – 1.5 mm (10 pack) | 10 |
| 1 PR398-0005 | | L638 | Nozzle – 1.7 mm | 1 |
| PR398-0005X | | L30638 | Nozzle – 1.7 mm (10 pack) | 10 |
| PR393-0006 | | L634 | Nozzle – 2.0 mm | 1 |
| PR393-0006X | | L30634 | Nozzle – 2.0 mm (10 pack) | 10 |
| PR393-0007 | | L635 | Nozzle – 2.5 mm | 1 |
| PR393-0007X | | L30635 | Nozzle – 2.5 mm (10 pack) | 10 |
| PR393-0008 | | L636 | Nozzle – 3.0 mm | 1 |
| PR393-0008X | | L30636 | Nozzle – 3.0 mm (10 pack) | 10 |
| PR393-3455CP | 485.73.455 | L1231X | Nozzle – 0.3 mm CP | 1 |
| PR393-3455CPX | 485.73.455 | L301231X | Nozzle – 0.3 mm CP (10 pack) | 10 |
| PR393-3451CP | 485.73.451 | L1235X | Nozzle – 1.5 mm CP | 1 |
| PR393-3451CPX | 485.73.451 | L301235X | Nozzle – 1.5 mm CP (10 pack) | 10 |
| 2 PR393-3452CP | 485.73.452 | L1236X | Nozzle – 2.0 mm CP | 1 |
| PR393-3452CPX | 485.73.452 | L301236X | Nozzle – 2.0 mm CP (10 pack) | 10 |
| PR393-3453CP | 485.73.453 | L1237X | Nozzle – 2.5 mm CP | 1 |
| PR393-3453CPX | 485.73.453 | L301237X | Nozzle – 2.5 mm CP (10 pack) | 10 |

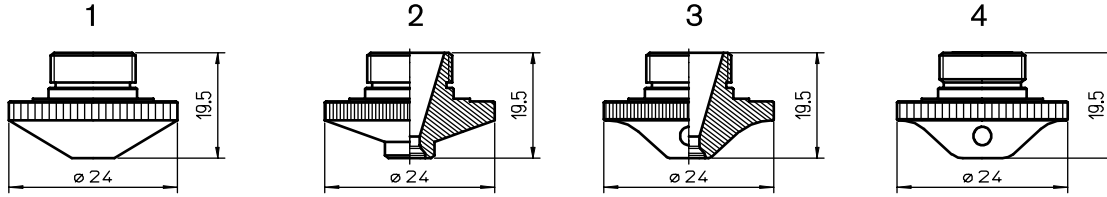

Consumables

| Centricut part number | Reference number | Alternate reference | Description | Pkg qty |
|-----------------------|------------------|---------------------|---|---------|
| PR357-0001 | 490.76.103 | L62 | Nozzle – 0.3 mm conical | 1 |
| PR357-0001X | 490.76.103 | L3062 | Nozzle – 0.3 mm conical (10 pack) | 10 |
| PR357-0002 | | L450 | Nozzle – 1.0 mm conical | 1 |
| PR357-0002X | | L30450 | Nozzle – 1.0 mm conical (10 pack) | 10 |
| PR357-0003 | | L451 | Nozzle – 1.2 mm conical | 1 |
| PR357-0003X | | L30451 | Nozzle – 1.2 mm conical (10 pack) | 10 |
| PR357-331B | 485.73.331 | L206 | Nozzle – 1.5 mm conical | 1 |
| PR357-331BX | 485.73.331 | L30206 | Nozzle – 1.5 mm conical (10 pack) | 10 |
| PR357-331C | | L424 | Nozzle – 1.5 mm conical brass | 1 |
| PR357-331CX | | L30424 | Nozzle – 1.5 mm conical brass (10 pack) | 10 |
| PR357-0004 | | L426 | Nozzle – 1.7 mm conical | 1 |
| PR357-0004X | | L30426 | Nozzle – 1.7 mm conical (10 pack) | 10 |
| PR357-333B | 485.73.333 | L57 | Nozzle – 2.0 mm conical | 1 |
| PR357-333BX | 485.73.333 | L3057 | Nozzle – 2.0 mm conical brass (10 pack) | 10 |
| PR357-333C | | L425 | Nozzle – 2.0 mm conical brass | 1 |
| PR357-333CX | | L30425 | Nozzle – 2.0 mm conical (10 pack) | 10 |
| PR357-0005 | 485.73.333 | L449 | Nozzle – 2.5 mm conical | 1 |
| PR357-0005X | 485.73.333 | L30449 | Nozzle – 2.5 mm conical brass (10 pack) | 10 |
| PR357-0006 | | L427 | Nozzle – 2.5 mm brass | 1 |
| PR357-0006X | | L30427 | Nozzle – 2.5 mm (10 pack) | 10 |
| PR357-0002CP | | L450X | Nozzle – 1.0 mm CP | 1 |
| PR357-0002CPX | | L30450X | Nozzle – 1.0 mm CP (10 pack) | 10 |
| PR357-0003CP | | L451X | Nozzle – 1.2 mm CP | 1 |
| PR357-0003CPX | | L30451X | Nozzle – 1.2 mm CP (10 pack) | 10 |
| PR357-331CCP | 485.73.431 | L424X | Nozzle – 1.5 mm CP | 1 |
| PR357-331CCPX | 485.73.431 | L30424X | Nozzle – 1.5 mm CP (10 pack) | 10 |
| PR357-0004CP | | L426X | Nozzle – 1.7 mm CP | 1 |
| PR357-0004CPX | | L30426X | Nozzle – 1.7 mm CP (10 pack) | 10 |
| PR357-322CCP | 485.73.433 | L425X | Nozzle – 2.0 mm CP | 1 |
| PR357-322CCPX | 485.73.433 | L30425X | Nozzle – 2.0 mm CP (10 pack) | 10 |
| PR357-0006CP | | L427X | Nozzle – 2.5 mm CP | 1 |
| PR357-0006CPX | | L30427X | Nozzle – 2.5 mm CP (10 pack) | 10 |
| PR395-0001 | 480.73.107 | AL136 | Insulating ring 5" (plastic) | 1 |
| PR395-0002 | | AL163 | Insulating ring 7.5" (plastic) | 1 |



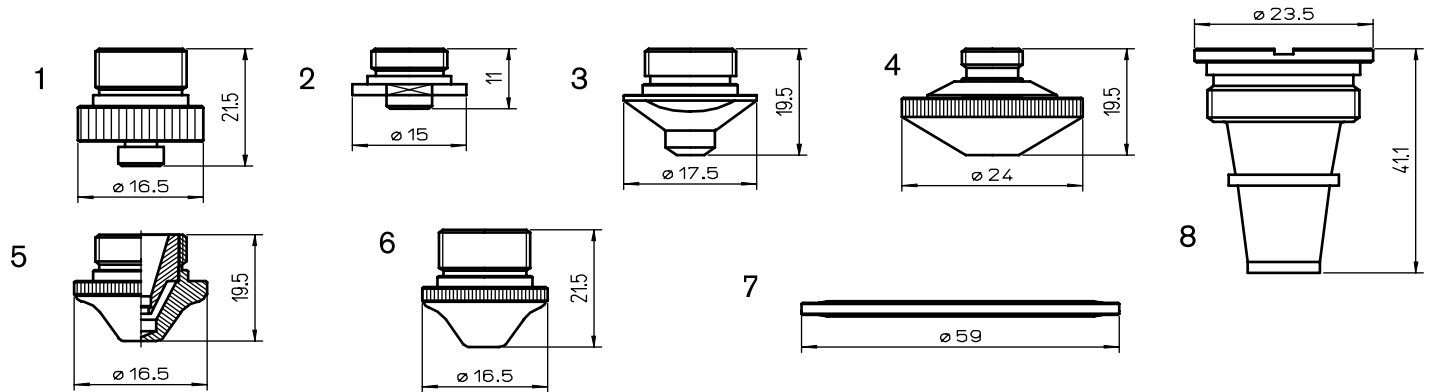
Consumables

| Centricut part number | Reference number | Alternate reference | Description | Pkg qty |
|-----------------------|------------------------|---------------------|----------------------------|---------|
| PR351-1E109 | | L532 | Nozzle – 0.8 mm | 1 |
| PR351-1E110 | | L312 | Nozzle – 1.0 mm | 1 |
| PR351-1E108 | | L362 | Nozzle – 1.2 mm | 1 |
| PR351-1E111 | LW6.1E.111 | L207 | Nozzle – 1.5 mm | 1 |
| PR351-1E112 | LW6.1E.112 | L208 | Nozzle – 2.0 mm | 1 |
| PR351-1E113 | LW6.1E.113 | L209 | Nozzle – 2.5 mm | 1 |
| 1 PR351-1E114 | LW6.1E.114 | L210 | Nozzle – 3.0 mm | 1 |
| PR351-1E110CP | | L312X | Nozzle – 1.0 mm CP | 1 |
| PR351-1E115CP | | L362X | Nozzle – 1.2 mm CP | 1 |
| PR351-1E111CP | LW6.1E.111 | L207X | Nozzle – 1.5 mm CP | 1 |
| PR351-1E112CP | LW6.1E.112 | L208X | Nozzle – 2.0 mm CP | 1 |
| PR351-1E113CP | LW6.1E.113 | L209X | Nozzle – 2.5 mm CP | 1 |
| PR351-1E114CP | LW6.1E.114 | L210X | Nozzle – 3.0 mm CP | 1 |
| PR366-1G600 | LW6.1G.500, LW6.1G.600 | L608 | Nozzle – 1.5 mm | 1 |
| PR366-1G601 | LW6.1G.501, LW6.1G.601 | L609 | Nozzle – 2.0 mm | 1 |
| PR366-1G602 | LW6.1G.502, LW6.1G.602 | L610 | Nozzle – 2.5 mm | 1 |
| 2 PR366-1G603 | LW6.1G.503, LW6.1G.603 | L611 | Nozzle – 3.0 mm | 1 |
| PR366-1G601CP | LW6.1G.501, LW6.1G.601 | L609X | Nozzle – 2.0 mm CP | 1 |
| PR366-1G602CP | LW6.1G.502, LW6.1G.602 | L610X | Nozzle – 2.5 mm CP | 1 |
| PR366-1G603CP | LW6.1G.503, LW6.1G.603 | L611X | Nozzle – 3.0 mm CP | 1 |
| PR362-0008CP | 1059.70000.010 | L905X | Nozzle – 0.8 mm double CP | 1 |
| PR362-0003CP | 1059.70000.003 | L900X | Nozzle – 1.0 mm double CP | 1 |
| PR362-0002CP | 1059.70000.008 | L907X | Nozzle – 1.25 mm double CP | 1 |
| 3 PR362-0005CP | 1059.70000.004 | L901X | Nozzle – 1.5 mm double CP | 1 |
| PR362-0001CP | 1059.70000.009 | L906X | Nozzle – 1.75 mm double CP | 1 |
| PR362-0004CP | 1059.70000.005 | L902X | Nozzle – 2.0 mm double CP | 1 |
| PR362-0006CP | 1059.70000.006 | L903X | Nozzle – 2.5 mm double CP | 1 |
| PR362-0007CP | 1059.70000.007 | L904X | Nozzle – 3.0 mm double CP | 1 |



Consumables

| | Centricut part number | Reference number | Alternate reference | Description | Pkg qty |
|---|-----------------------|------------------|---------------------|---------------------|---------|
| | PR422-0001 | Centricut design | L862 | Nozzle – 1.0 mm | 1 |
| | PR422-0002 | Centricut design | L863 | Nozzle – 1.5 mm | 1 |
| 1 | PR422-0003 | Centricut design | L864 | Nozzle – 2.0 mm | 1 |
| | PR422-0004 | Centricut design | L865 | Nozzle – 2.5 mm | 1 |
| | PR422-0005 | Centricut design | L866 | Nozzle – 3.0 mm | 1 |
| 2 | PR422-0650CP | LW6.1G.650 | L1165X | Nozzle – 3.0 mm CP | 1 |
| | PR422-0608CP | LW6.1G.608 | L1208X | Nozzle – 3.0 mm CP | 1 |
| 3 | PR422-0609CP | LW6.1G.609 | L1209X | Nozzle – 3.5 mm CP | 1 |
| | PR394-604 | LW6.1G.604 | L1167X | Nozzle – 1.5 mm CP | 1 |
| | PR394-603 | | L1166X | Nozzle – 1.75 mm CP | 1 |
| 4 | PR394-605 | LW6.1G.605 | L1168X | Nozzle – 2.0 mm CP | 1 |
| | PR394-606 | LW6.1G.606 | L1169X | Nozzle – 2.5 mm CP | 1 |
| | PR394-607 | LW6.1G.607 | L1170X | Nozzle – 3.0 mm CP | 1 |



Consumables

| Centricut part number | Reference number | Alternate reference | Description | Pkg qty | |
|-----------------------|------------------|---------------------|--------------------|---------------------------|---|
| 1 | PR396-508 | 787.04.508 | L1175 | Nozzle – 1.5 mm | 1 |
| | PR396-509 | 787.04.509 | L1176 | Nozzle – 2.0 mm | 1 |
| | PR396-510 | 787.04.510 | L1177 | Nozzle – 2.5 mm | 1 |
| | PR396-511 | 787.04.511 | L1178 | Nozzle – 3.0 mm | 1 |
| 2 | PR397-0012 | | L534 | Nozzle – 1.2 mm | 1 |
| | PR397-0001 | | L535 | Nozzle – 1.5 mm | 1 |
| | PR397-0002 | | L536 | Nozzle – 2.0 mm | 1 |
| | PR397-0003 | | L537 | Nozzle – 2.5 mm | 1 |
| 3 | PR398-498 | | L922 | Nozzle – 0.3 mm | 1 |
| | PR398-0001 | | L891 | Nozzle – 1.0 mm | 1 |
| | PR398-550 | 750.42.550 | L892 | Nozzle – 1.5 mm | 1 |
| | PR398-551 | 750.42.551 | L893 | Nozzle – 2.0 mm | 1 |
| | PR398-552 | 750.42.552 | L894 | Nozzle – 2.5 mm | 1 |
| | PR398-0004 | 750.42.553 | L895 | Nozzle – 3.0 mm | 1 |
| | PR398-0001CP | | L891X | Nozzle – 1.0 mm CP | 1 |
| | PR398-0006 | 750.42.550 | L892X | Nozzle – 1.5 mm CP | 1 |
| | PR398-0002CP | 750.42.551 | L893X | Nozzle – 2.0 mm CP | 1 |
| | PR398-0003CP | 750.42.552 | L894X | Nozzle – 2.5 mm CP | 1 |
| PR398-0004CP | 750.42.553 | L895X | Nozzle – 3.0 mm CP | 1 | |
| 4 | PR399-0001 | | L875 | Nozzle – 1.0 mm | 1 |
| | PR399-0002 | | L876 | Nozzle – 1.5 mm | 1 |
| | PR399-0003 | LW3.1E.102 | L877 | Nozzle – 2.0 mm | 1 |
| | PR399-0004 | LW3.1E.103 | L878 | Nozzle – 2.5 mm | 1 |
| | PR399-0005 | LW3.1E.104 | L879 | Nozzle – 3.0 mm | 1 |
| 5 | PR421-111CP | 520.17.111 | L1239X | Nozzle – 1.5 mm double CP | 1 |
| | PR421-114CP | 520.17.114 | L1240X | Nozzle – 2.0 mm double CP | 1 |
| | PR421-560CP | 750.43.560 | L1241X | Nozzle – 2.5 mm double CP | 1 |
| | PR421-561CP | 750.43.561 | L1242X | Nozzle – 3.0 mm double CP | 1 |
| | PR421-562CP | 750.43.562 | L1243X | Nozzle – 3.5 mm double CP | 1 |
| 6 | PR409-4515 | 787.04.515 | L1211X | Nozzle – 1.25 mm CP | 1 |
| | PR409-4512 | 787.04.512 | L1212X | Nozzle – 1.5 mm CP | 1 |
| | PR409-4516 | 787.04.516 | L1217X | Nozzle – 1.75 mm CP | 1 |
| | PR409-4513 | 787.04.513 | L1213X | Nozzle – 2.0 mm CP | 1 |
| | PR409-4514 | 787.04.514 | L1214X | Nozzle – 2.5 mm CP | 1 |
| 7 | PR421-720 | 1058.36520.720 | AL259 | Lens gasket | 1 |
| 8 | PR422-1198 | | L1198 | Nozzle (welding) | 1 |

Optics

| Centricut part number | Reference number | Type | Diameter | Focal length | Edge thickness |
|-----------------------|------------------|------------|-------------|--------------|----------------|
| Lenses | | | | | |
| PR361-9002 | 834-319-002 | PLX | 1.5" | 5.0" | .236" |
| PR361-0773 | 970773 | PLX | 1.5" | 5.0" | .275" |
| PR361-9011 | 834-319-011 | PLX | 1.5" | 5.0" | .300" |
| PR361-0003 | 834-319-003 | PLX | 1.5" | 7.5" | .236" |
| PR361-9012 | 834-319-012 | PLX | 1.5" | 7.5" | .300" |
| PR361-0004 | | MEN | 1.5" | 5.0" | .354" |
| PR361-0005 | | MEN | 1.5" | 7.5" | .354" |
| PR361-0001 | | PLX | 2.0" | 5.0" | .380" |
| PR361-0002 | | PLX | 2.0" | 7.5" | .380" |

| Centricut part number | Reference number | Material | Diameter | Edge thickness | S1 |
|----------------------------|------------------|----------|----------|----------------|--------|
| Phase shift mirrors | | | | | |
| PR361-4054 | | CU | 2.75" | .984" | w/FTGS |

| Centricut part number | Reference number | Type | Material | Diameter | Edge thickness | S1 |
|--|------------------|------------|-----------|--------------|----------------|---------|
| Zero phase shift mirrors and total reflectors | | | | | | |
| PR361-0029 | | MMR | CU | 1.969" | .984" | |
| PR361-0031 | | MMR | CU | 1.969" | .984" | 1.44MCC |
| PR361-1595 | | MMR | CU | 2.75" | .984" | w/FTGS |
| PR361-1884 | 761884 | TRZ | CU | 1.69" | .236" | |
| PR361-0030 | | TRZ | CU | 1.969" | .984" | 0.9MCX |

Optics care

| Centricut part number | Reference number | Description | Pkg qty |
|-----------------------|------------------|--|----------|
| TR300-6452 | N/A | CO ₂ Lens paper (50 sheets) | 1 |
| TR300-SC20 | | Cotton swab – 20 piece | 1 |
| TR300-1115 | | Lens cleaning pre-cut cotton –100 piece | 1 |
| TR300-1010 | AL1010 | Dropper, lens cleaning fluid | 1 |
| TR300-255 | AL255 | Loupe, magnifying | 1 |
| TR300-271 | AL271 | Base, lens maintenance | 1 |
| TR300-7388 | 787388 | Mirror polish (250 ml) | 1 |

New items shown in bold



Broadest product line in the industry!



Hypertherm, Inc.
Hanover, NH 03755 USA
603-643-3441 Tel

Hypertherm Europe B.V.
4704 SE Roosendaal, Nederland
31 165 596907 Tel

**Hypertherm (Shanghai)
Trading Co., Ltd.**
PR China 200052
86-21 5258 3330 /1 Tel

Hypertherm (S) Pte Ltd.
Singapore 349567
65 6 841 2489 Tel

**Hypertherm (India) Thermal
Cutting Pvt. Ltd.**
Chennai, Tamil Nadu
91 0 44 2834 5361 Tel

Hypertherm Brasil Ltda.
Guarulhos, SP - Brasil
55 11 2409 2636 Tel

Hypertherm México, S.A. de C.V.
México, D.F.
52 55 5681 8109 Tel

www.hypertherm.com



Hypertherm[®]

Cut with confidence[®]