



CO₂ laser consumables – Trumpf®



Hypertherm®

Highest quality products

- OEM quality
- OEM-approved optics
- 100% satisfaction guarantee

Technical service

OEM-trained technicians on staff with over 25 years of experience.

Free application support for all laser OEMs.

We stand behind our products with industry-leading technical expertise.

Chemical code key

Lens

PFL	Pre-focus
MEN	Meniscus
PLX	Plano-convex
MTD	Mounted
Not MTD	Not mounted
LA	Low absorption
PO	Plano

Mirrors

CU	Copper
GAAS	Gallium arsenide
SI	Silicon
GE	Germanium
ZNSE	Zinc-selenide
PS	Phase shift
MMR	Maximum metal reflector
ATFR	Absorbing thin film reflector
TRZ	Total reflector – zero phase shift
ZPS	Zero phase shift
OC	Output coupler
RM	Rear mirror
COL-I	Collimator input
COL-O	Collimator output
AO	Adaptive optic
MO	Molybdenum
UC	Uncoated
MCX	Convex
MCC	Concave

Measurements

DIA	Diameter
FL	Focal length
ET	Edge thickness

Nozzles

CP	Chrome plated
HD/HP	High density/high pressure

Product is available for the following major OEM brands

Amada®

Behrens®

Bystronic®

Cincinnati®

Finn-Power®

GHT-SHT®

Haas®

Haco®

Hankwang®

Laserdyne®

Laser Lab®

LVD®

Mazak®

Mitsubishi®

Murata Wiedemann® – Fanuc®

Niigata®

NTC® – Beyeler®

Precitec®

Prima Industrie®

Raskin®

Rouchaud®

Salvagnini®

Strippit®

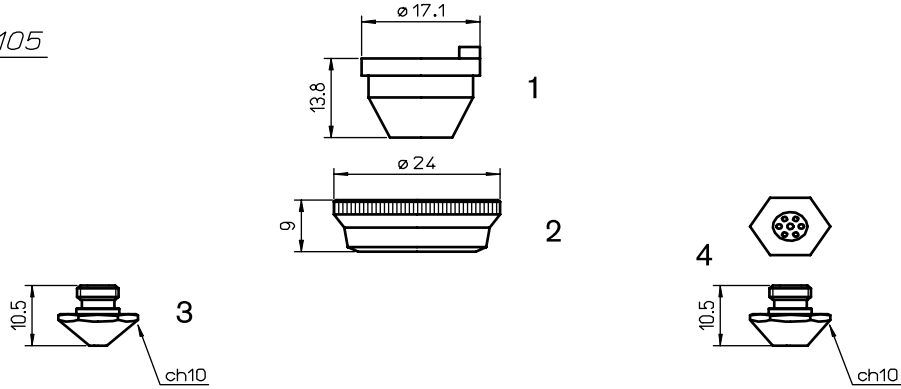
Tanaka®

Thyssen®

Trumpf®

Valfivre®

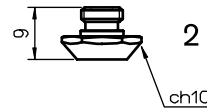
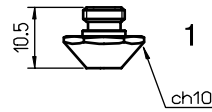
LASER TLC 105



Consumables

	Centricut part number	Reference number	Alternate reference	Description	Pkg qty
1	TR302-2405	280408, 092405	AL53	Nozzle holder	1
2	TR352-0001	280550, P0494-940-00001	AL177	Original ring	1
	TR302-6939	226939	L211	Nozzle – 1.0 mm	1
	TR302-6939X	226939	L40211	Nozzle – 1.0 mm (10 pack)	10
	TR302-0002		L212	Nozzle – 1.4 mm	1
	TR302-0002X		L40212	Nozzle – 1.4 mm (10 pack)	10
	TR302-0003		L213	Nozzle – 1.7 mm	1
	TR302-0003X		L40213	Nozzle – 1.7 mm (10 pack)	10
	TR302-6933CP	226939	L211X	Nozzle – 1.0 mm CP	1
	TR302-6933CPX	226939	L40211X	Nozzle – 1.0 mm CP (10 pack)	10
	TR302-0002CP		L212X	Nozzle – 1.4 mm CP	1
	TR302-0002CPX		L40212X	Nozzle – 1.4 mm CP (10 pack)	10
	TR302-0003CP		L213X	Nozzle – 1.7 mm CP	1
	TR302-0003CPX		L40213X	Nozzle – 1.7 mm CP (10 pack)	10
3	TR302-0001		L214	Nozzle – 1.0 mm HD	1
	TR302-0001X		L40214	Nozzle – 1.0 mm HD (10 pack)	10
	TR302-6940	226940	L215	Nozzle – 1.4 mm	1
	TR302-6940X	226940	L40215	Nozzle – 1.4 mm HD (10 pack)	10
	TR302-7144	227144	L216	Nozzle – 1.7 mm HP	1
	TR302-7144X	227144	L40216	Nozzle – 1.7 mm HD (10 pack)	10
	TR302-0001CP		L214X	Nozzle – 1.0 mm HD CP	1
	TR302-0001CPX		L40214X	Nozzle – 1.0 mm HD CP (10 pack)	10
	TR302-6949CP	226940	L215X	Nozzle – 1.4 mm HD CP	1
	TR302-6949CPX	226940	L40215X	Nozzle – 1.4 mm HD CP (10 pack)	10
	TR302-7144CP	227144	L216X	Nozzle – 1.7 mm HP CP	1
	TR302-7144CPX	227144	L40216X	Nozzle – 1.7 mm HP CP (10 pack)	10
4	TR302-7364	237364	L395	Shower nozzle – 1.0 mm	1
	TR302-7364X	237364	L40395	Shower nozzle – 1.0 mm (10 pack)	10

LASER TLC 105



Consumables

Centricut part number	Reference number	Alternate reference	Description	Pkg qty
TR302-4230	135420, 1354230	L1150	Nozzle – 0.8 mm	1
TR302-4230X	135420, 1354230	L401150	Nozzle – 0.8 mm (10 pack)	10
TR302-2334	212334	L255	Nozzle – 1.0 mm HP	1
TR302-2334X	212334	L40255	Nozzle – 1.0 mm (10 pack)	10
TR302-0008CP	135420, 1354230	L1150X	Nozzle – 0.8 mm CP	1
TR302-0008CPX	135420, 1354230	L401150X	Nozzle – 0.8 mm CP (10 pack)	10
TR302-2334CP	212334	L255X	Nozzle – 1.0 mm CP	1
TR302-2334CPX	212334	L40255X	Nozzle – 1.0 mm CP (10 pack)	10
TR302-0009		L1151	Nozzle – 0.8 mm HD	1
TR302-0009X		L401151	Nozzle – 0.8 mm HD (10 pack)	10
TR302-0004		L270	Nozzle – 1.0 mm HD	1
TR302-0004X		L40270	Nozzle – 1.0 mm HD (10 pack)	10
TR302-6199	216199	L256	Nozzle – 1.4 mm HP	1
1 TR302-6199X	216199	L40256	Nozzle – 1.4 mm HD (10 pack)	10
TR302-5213	225213	L257	Nozzle – 1.7 mm HD	1
TR302-5213X	225213	L40257	Nozzle – 1.7 mm HD (10 pack)	10
TR302-6156	126156	L277	Nozzle – 2.3 mm HD	1
TR302-6156X	126156	L40277	Nozzle – 2.3 mm HD (10 pack)	10
TR302-0009CP		L1151X	Nozzle – 0.8 mm HD CP	1
TR302-0009CPX		L401151X	Nozzle – 0.8 mm HD CP (10 pack)	10
TR302-0004CP		L270X	Nozzle – 1.0 mm HD CP	1
TR302-0004CPX		L40270X	Nozzle – 1.0 mm HD CP (10 pack)	10
TR302-6199CP	216199	L256X	Nozzle – 1.4mm HD CP	1
TR302-6199CPX	216199	L40256X	Nozzle – 1.4 mm HD CP (10 pack)	10
TR302-5213CP	225213	L257X	Nozzle – 1.7 mm HD CP	1
TR302-5213CPX	225213	L40257X	Nozzle – 1.7 mm HD CP (10 pack)	10
TR302-6156CP	126156	L277X	Nozzle – 2.3 mm HD CP	1
TR302-6156CPX	126156	L40277X	Nozzle – 2.3 mm HD CP (10 pack)	10
TR302-0005		L278	Nozzle – short – 2.3 mm HD H=4	1
2 TR302-0005X		L40278	Nozzle – short – 2.3 mm HD H=4 (10 pack)	10
TR302-0006		L332	Nozzle – short – 2.3 mm HD H=3.5	1
TR302-0006X		L40332	Nozzle – short – 2.3 mm HD H=3.5 (10 pack)	10

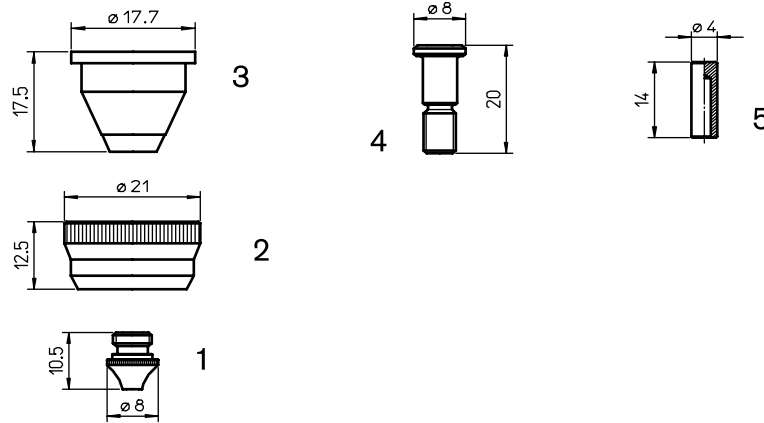
LASER TLC 105



Consumables

Centricut part number	Reference number	Alternate reference	Description	Pkg qty
TR302-5320		L625	Nozzle – 1.0 mm	1
TR302-5320X		L40625	Nozzle – 1.0 mm (10 pack)	10
TR302-5320CP		L625X	Nozzle – 1.0 mm CP	1
TR302-5320CPX		L40625X	Nozzle – 1.0 mm CP (10 pack)	10
TR302-0007		L627	Nozzle – 1.0 mm HD	1
TR302-0007X		L40627	Nozzle – 1.0 mm HD (10 pack)	10
TR302-5318		L628	Nozzle – 1.4 mm HD	1
TR302-5318X		L40628	Nozzle – 1.4 mm HD (10 pack)	10
1 TR302-0017		L629	Nozzle – 1.7 mm HD	1
TR302-0017X		L40629	Nozzle – 1.7 mm HD (10 pack)	10
TR302-0007CP		L627X	Nozzle – 1.0 mm HD CP	1
TR302-0007CPX		L40627X	Nozzle – 1.0 mm HD CP (10 pack)	10
TR302-5318CP		L628X	Nozzle – 1.4 mm CP	1
TR302-5318CPX		L40628X	Nozzle – 1.4 mm HD CP (10 pack)	10
TR302-0017CP		L629X	Nozzle – 1.7 mm HD CP	1
TR302-0017CPX		L40629X	Nozzle – 1.7 mm HD CP (10 pack)	10
TR302-0025		L746	Nozzle – 0.25 mm HD	1
TR302-0025X		L40746	Nozzle – 0.25 mm HD (10 pack)	10
TR302-0010	135320	L267	Nozzle – 1.0 mm HD	1
TR302-0010X	135320	L40267	Nozzle – 1.0 mm HD (10 pack)	10
TR302-0014	135318	L268	Nozzle – 1.4 mm HD	1
TR302-0014X	135318	L40268	Nozzle – 1.4 mm HD (10 pack)	10
2 TR302-6157	126157	L269	Nozzle – 1.7 mm HD	1
TR302-6157X	126157	L40269	Nozzle – 1.7 mm HD (10 pack)	10
TR302-0010CP	135320	L267X	Nozzle – 1.0 mm HD CP	1
TR302-0010CPX	135320	L40267X	Nozzle – 1.0 mm HD CP (10 pack)	10
TR302-0014CP	135318	L268X	Nozzle – 1.4 mm HD CP	1
TR302-0014CPX	135318	L40268X	Nozzle – 1.4 mm HD CP (10 pack)	10
TR302-0157CP	126157	L269X	Nozzle – 1.7 mm HD CP	1
TR302-0157CPX	126157	L40269X	Nozzle – 1.7 mm HD CP (10 pack)	10

LASER TLC 1005

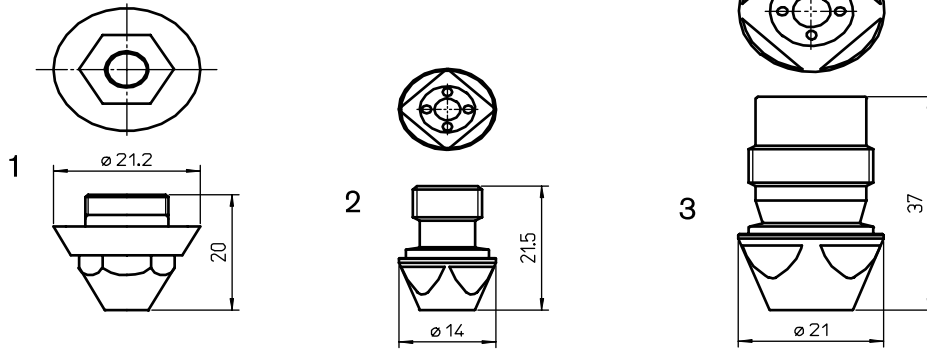


Consumables

Centricut part number	Reference number	Alternate reference	Description	Pkg qty
TR302-8206	958206	L745	Nozzle – 0.25 mm HD	1
TR302-8206X	958206	L40745	Nozzle – 0.25 mm HD (10 pack)	10
TR352-3799	913799	L500	Nozzle – 0.8 mm HD	1
TR352-3799X	913799	L40500	Nozzle – 0.8 mm HD (10 pack)	10
TR352-3800	913800	L501	Nozzle – 1.0 mm HD	1
TR352-3800X	913800	L40501	Nozzle – 1.0 mm HD (10 pack)	10
TR352-3801	913801	L502	Nozzle – 1.4 mm HD	1
TR352-3801X	913801	L40502	Nozzle – 1.4 mm HD (10 pack)	10
TR352-7988	937988	L503	Nozzle – 1.7 mm HD	1
TR352-7988X	937988	L40503	Nozzle – 1.7 mm HD (10 pack)	10
TR352-7989	937989	L504	Nozzle – 2.3 mm HD	1
TR352-7989X	937989	L40504	Nozzle – 2.3 mm HD (10 pack)	10
TR352-3799CP	913799	L500X	Nozzle – 0.8 mm HD CP	1
TR352-3799CPX	913799	L40500X	Nozzle – 0.8 mm HD CP (10 pack)	10
TR352-3800CP	913800	L501X	Nozzle – 1.0 mm HD CP	1
TR352-3800CPX	913800	L40501X	Nozzle – 1.0 mm HD CP (10 pack)	10
TR352-3801CP	913801	L502X	Nozzle – 1.4 mm HD CP	1
TR352-3801CPX	913801	L40502X	Nozzle – 1.4 mm HD CP (10 pack)	10
TR352-7988CP	937988	L503X	Nozzle – 1.7 mm HD CP	1
TR352-7988CPX	937988	L40503X	Nozzle – 1.7 mm HD CP (10 pack)	10
TR352-7989CP	937989	L504X	Nozzle – 2.3 mm HD CP	1
TR352-7989CPX	937989	L40504X	Nozzle – 2.3 mm HD CP (10 pack)	10
2 TR352-3965	0913965	AL254	Retainer nut	1
3 TR302-6678	936678, 913966/00-WO	AL212	Nozzle holder – ceramic	1
4 TR352-1734	0971734	AL264	Safety screw	1
5 TR352-1878	0971878	AL265	Dowl pin	1

New items shown in bold

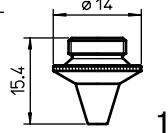
TLF 6003



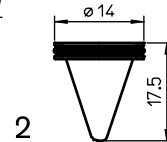
Consumables

Centricut part number	Reference number	Alternate reference	Description	Pkg qty
1 TR352-2530CP	932530	L1010X	Nozzle – 4.5 mm CP	1
2 TR352-4947	924947	L1185	Nozzle – welding M10	1
3 TR352-0783	220783	L1186	Nozzle – welding M18	1

TESTA YH27

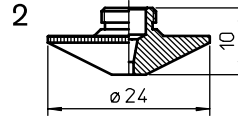
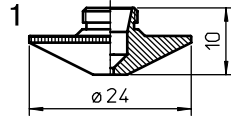


YAG



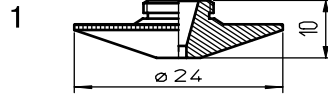
Consumables

Centricut part number	Reference number	Alternate reference	Description	Pkg qty
PT344-1813	281813, P0589-424-00008	L405	Nozzle – 0.8 mm	1
PT344-1813X	281813, P0589-424-00008	L30405	Nozzle – 0.8 mm (10 pack)	10
PT344-1789	281789, P0589-426-00010	L406	Nozzle – 1.0 mm	1
PT344-1789X	281789, P0589-426-00010	L30406	Nozzle – 1.0 mm (10 pack)	10
PT344-1561	281561 – 778550	L404	Nozzle – 1.2 mm	1
PT344-1561X	281561 – 778550	L30404	Nozzle – 1.2 mm HD (10 pack)	10
PT344-1499	281814 – 149957	L407	Nozzle – 1.5 mm	1
PT344-1499X	281814 – 149957	L30407	Nozzle – 1.5 mm (10 pack)	10
PT344-0020	P0589-428-00020	L408	Nozzle – 2.0 mm	1
1 PT344-0020X	P0589-428-00020	L30408	Nozzle – 2.0 mm (10 pack)	10
PT344-1813CP	281813, P0589-424-00008	L405X	Nozzle – 0.8 mm CP	1
PT344-1813CPX	281813, P0589-424-00008	L30405X	Nozzle – 0.8 mm CP (10 pack)	10
PT344-1789CP	281789, P0589-426-00010	L406X	Nozzle – 1.0 mm CP	1
PT344-1789CPX	281789, P0589-426-00010	L30406X	Nozzle – 1.0 mm CP (10 pack)	10
PT344-1561CP	281561, 778550, P0589-425-00012	L404X	Nozzle – 1.2 mm CP	1
PT344-1561CPX	281561, 778550	L30404X	Nozzle – 1.2 mm CP (10 pack)	10
PT344-1499CP	281814, 149957	L407X	Nozzle – 1.5 mm CP	1
PT344-1499CPX	281814, 149957	L30407X	Nozzle – 1.5 mm CP (10 pack)	10
PT344-0020CP	P0589-428-00020	L408X	Nozzle – 2.0 mm CP	1
PT344-0020CPX	P0589-428-00020	L30408X	Nozzle – 2.0 mm CP (10 pack)	10
TR414-0008	12-11-16-00	L507	Nozzle – 0.8 mm Yag w/o-ring	1
2 TR414-0010		L506	Nozzle – 1.0 mm Yag w/o-ring	1
TR414-0012	12-11-09-17/00	L505	Nozzle – 1.2 mm Yag w/o-ring	1



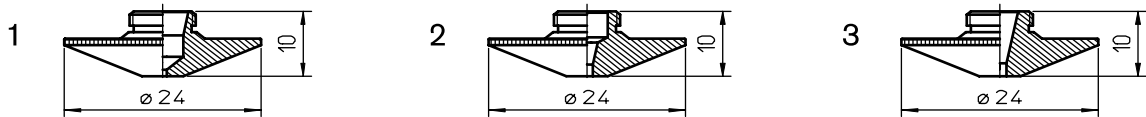
Consumables

Centricut part number	Reference number	Alternate reference	Description	Pkg qty
TR301-4561	124561, 237499	L18	Nozzle – 0.8 mm	1
TR301-4561X	124561, 237499	L3018	Nozzle – 0.8 mm (10 pack)	10
TR301-4562	124562, 237498	L19	Nozzle – 1.0 mm	1
TR301-4562X	124562, 237498	L3019	Nozzle – 1.0 mm (10 pack)	10
TR301-6809	966809	L361	Nozzle – 1.2 mm	1
TR301-6809X	966809	L30361	Nozzle – 1.2 mm (10 pack)	10
TR301-0014		L795	Nozzle – 1.4 mm	1
TR301-0014X		L30795	Nozzle – 1.4 mm (10 pack)	10
TR301-7500	237500	L26	Nozzle – 1.5 mm	1
TR301-7500X	237500	L3026	Nozzle – 1.5 mm (10 pack)	10
TR301-0017		L796	Nozzle – 1.7 mm	1
TR301-0017X		L30796	Nozzle – 1.7 mm (10 pack)	10
TR301-7503	237503	L24	Nozzle – 2.0 mm	1
TR301-7503X	237503	L3024	Nozzle – 2.0 mm (10 pack)	10
TR301-4564	124564	L797	Nozzle – 2.3 mm	1
TR301-4564X	124564	L30797	Nozzle – 2.3 mm (10 pack)	10
TR301-7504	237504	L25	Nozzle – 3.0 mm	1
1 TR301-7504X	237504	L3025	Nozzle – 3.0 mm (10 pack)	10
TR301-0561CP	352280	L18X	Nozzle – 0.8 mm CP	1
TR301-0561CPX	352280	L3018X	Nozzle – 0.8 mm CP (10 pack)	10
TR301-0562CP	352281	L19X	Nozzle – 1.0 mm CP	1
TR301-0562CPX	352281	L3019X	Nozzle – 1.0 mm CP (10 pack)	10
TR301-0809CP	352282	L361X	Nozzle – 1.2 mm CP	1
TR301-0809CPX	352282	L30361X	Nozzle – 1.2 mm CP (10 pack)	10
TR301-0014CP		L795X	Nozzle – 1.4 mm CP	1
TR301-0014CPX		L30795X	Nozzle – 1.4 mm CP (10 pack)	10
TR301-7500CP	352288	L26X	Nozzle – 1.5 mm CP	1
TR301-7500CPX	352288	L3026X	Nozzle – 1.5 mm CP (10 pack)	10
TR301-0017CP		L796X	Nozzle – 1.7 mm CP	1
TR301-0017CPX		L30796X	Nozzle – 1.7 mm CP (10 pack)	10
TR301-7503CP		L24X	Nozzle – 2.0 mm CP	1
TR301-7503CPX		L3024X	Nozzle – 2.0 mm CP (10 pack)	10
TR301-4564CP	124564	L797X	Nozzle – 2.3 mm CP	1
TR301-4564CPX	124564	L30797X	Nozzle – 2.3 mm CP (10 pack)	10
TR301-7504CP	237504	L25X	Nozzle – 3.0 mm CP	1
TR301-7504CPX		L3025X	Nozzle – 3.0 mm CP (10 pack)	10
TR301-7497	237497	L20	Nozzle – 1.4 mm HD	1
2 TR301-7497X	237497	L3020	Nozzle – 1.4 mm HD (10 pack)	10
TR301-1497CP	352283	L20X	Nozzle – 1.4 mm HD CP	1
TR301-1497CPX	352283	L3020X	Nozzle – 1.4 mm HD CP (10 pack)	10



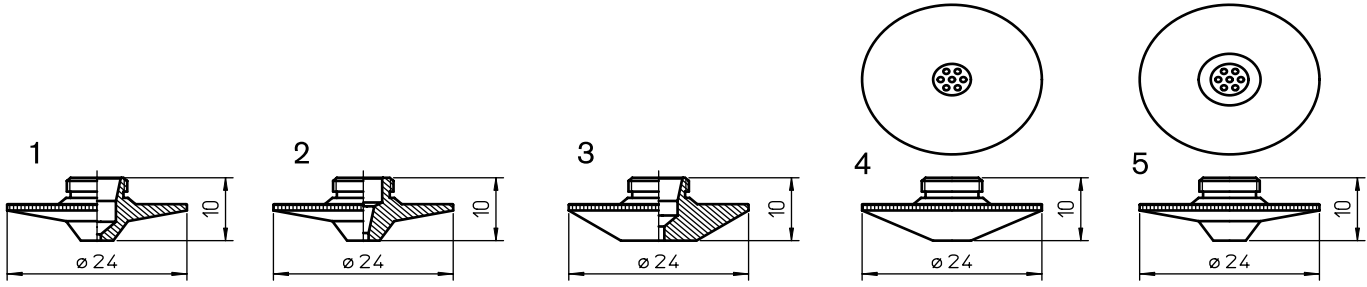
Consumables

Centricut part number	Reference number	Alternate reference	Description	Pkg qty
TR301-7497-S	237497/S	L258	Nozzle – 1.4 mm HD	1
TR301-0497X	237497/S	L30258	Nozzle – 1.4 mm HD (10 pack)	10
TR301-7501	237501	L21	Nozzle – 1.7 mm HD	1
TR301-7501X	237501	L3021	Nozzle – 1.7 mm HD (10 pack)	10
TR301-3211	237502	L168	Nozzle – 2.0 mm HD	1
TR301-3211X	237502	L30168	Nozzle – 2.0 mm HD (10 pack)	10
TR301-6933	126933	L76	Nozzle – 2.3 mm HD	1
TR301-6933X	126933	L3076	Nozzle – 2.3 mm HD (10 pack)	10
TR301-0003		L185	Nozzle – 2.5 mm HD	1
TR301-0003X		L30185	Nozzle – 2.5 mm HD (10 pack)	10
TR301-2742	942742	L360	Nozzle – 2.7 mm HD	1
TR301-2742X	942742	L30360	Nozzle – 2.7 mm HD (10 pack)	10
TR301-0004		L396	Nozzle – 3.0 mm HD	1
TR301-0004X		L30396	Nozzle – 3.0 mm HD (10 pack)	10
1 TR301-0497CP	237497/S	L258X	Nozzle – 1.4 mm HD CP	1
TR301-0497CPX		L30258X	Nozzle – 1.4 mm HD CP (10 pack)	10
TR301-0501CP	352284	L21X	Nozzle – 1.7 mm HD CP	1
TR301-0501CPX	352284	L3021X	Nozzle – 1.7 mm HD CP (10 pack)	10
TR301-1002CP	352287	L168X	Nozzle – 2.0 mm HD CP	1
TR301-1002CPX	237502	L30168X	Nozzle – 2.0 mm HD CP (10 pack)	10
TR301-0933CP	352285	L76X	Nozzle – 2.3 mm HD CP	1
TR301-0933CPX	352285	L3076X	Nozzle – 2.3 mm HD CP (10 pack)	10
TR301-0003CP		L185X	Nozzle – 2.5 mm HD CP	1
TR301-0003CPX		L30185X	Nozzle – 2.5 mm HD CP (10 pack)	10
TR301-0742CP	352286	L360X	Nozzle – 2.7 mm HD CP	1
TR301-0742CPX	352286	L30360X	Nozzle – 2.7 mm HD CP (10 pack)	10
TR301-1004CP		L396X	Nozzle – 3.0 mm HD CP	1
TR301-1004CPX		L30396X	Nozzle – 3.0 mm HD CP (10 pack)	10



Consumables

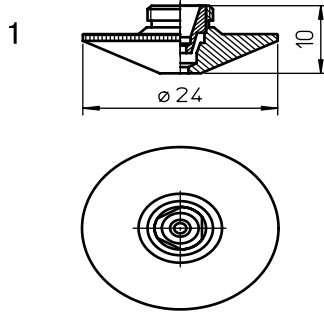
Centricut part number	Reference number	Alternate reference	Description	Pkg qty
TR301-4561CP	352280	L18XH	Nozzle – 0.8 mm hard CP	1
TR301-4561CPX	352280	L3018XH	Nozzle – 0.8 mm hard CP (10 pack)	10
1 TR301-4562CP	352281	L19XH	Nozzle – 1.0 mm hard CP	1
TR301-4562CPX	352281	L3019XH	Nozzle – 1.0 mm hard CP (10 pack)	10
TR301-6809CP	352282	L361XH	Nozzle – 1.2 mm hard CP	1
TR301-6809CPX	352282	L30361XH	Nozzle – 1.2 mm hard CP (10 pack)	10
2 TR301-7497CP	352283	L20XH	Nozzle – 1.4 mm HD hard CP	1
TR301-7497CPX	352283	L3020XH	Nozzle – 1.4 mm HD hard CP (10 pack)	10
TR301-0014HCP		L258XH	Nozzle – 1.4 mm HD hard CP	1
TR301-0014HCPX		L30258XH	Nozzle – 1.4 mm HD hard CP (10 pack)	10
TR301-7501CP	352284	L21XH	Nozzle – 1.7 mm HD hard CP	1
TR301-7501CPX	352284	L3021XH	Nozzle – 1.7 mm HD hard CP (10 pack)	10
TR301-0002CP	352287	L168XH	Nozzle – 2.0 mm HD hard CP	1
TR301-0002CPX	237502	L30168XH	Nozzle – 2.0 mm HD hard CP (10 pack)	10
3 TR301-6933CP	352285	L76XH	Nozzle – 2.3 mm HD hard CP	1
TR301-6933CPX	352285	L3076XH	Nozzle – 2.3 mm HD hard CP (10 pack)	10
TR301-0025HCP		L185XH	Nozzle – 2.5 mm HD hard CP	1
TR301-0025HCPX		L30185XH	Nozzle – 2.5 mm HD hard CP (10 pack)	10
TR301-2742CP	352286	L360XH	Nozzle – 2.7 mm HD hard CP	1
TR301-2742CPX	352286	L30360XH	Nozzle – 2.7 mm HD hard CP (10 pack)	10
TR301-0004CP		L396XH	Nozzle – 3.0 mm HD hard CP	1
TR301-0004CPX		L30396XH	Nozzle – 3.0 mm HD hard CP (10 pack)	10



Consumables

Centricut part number	Reference number	Alternate reference	Description	Pkg qty
TR301-5780	215780	L2	Nozzle – 0.8 mm	1
TR301-5780X	215780	L3002	Nozzle – 0.8 mm (10 pack)	10
TR301-7658	087658	L11	Nozzle – 1.0 mm	1
TR301-7658X	087658	L3011	Nozzle – 1.0 mm (10 pack)	10
TR301-5780CP	215780	L2X	Nozzle – 0.8 mm CP	1
TR301-5780CPX	215780	L3002X	Nozzle – 0.8 mm CP (10 pack)	10
TR301-7658CP	087658	L11X	Nozzle – 1.0 mm CP	1
TR301-7658CPX	087658	L3011X	Nozzle – 1.0 mm CP (10 pack)	10
TR301-8894	088894	L1	Nozzle – 1.4 mm HD	1
TR301-8894X	088894	L3001	Nozzle – 1.4 mm HD (10 pack)	10
TR301-7867	217867	L12	Nozzle – 1.7 mm HD	1
TR301-7867X	217867	L3012	Nozzle – 1.7 mm HD (10 pack)	10
TR301-1010		L798	Nozzle – 1.0 mm	1
TR301-1010X		L30798	Nozzle – 1.0 mm (10 pack)	10
TR301-8893	088893	L13	Nozzle – 1.5 mm	1
TR301-8893X	088893	L3013	Nozzle – 1.5 mm (10 pack)	10
TR301-1781	221781	L68	Nozzle – 2.0 mm	1
TR301-1781X	221781	L3068	Nozzle – 2.0 mm (10 pack)	10
TR301-4565	235592	L230	Nozzle – 3.0 mm	1
TR301-4565X	235592	L30230	Nozzle – 3.0 mm (10 pack)	10
TR301-7872	237872	L495	Shower nozzle – 0.8 mm	1
TR301-7872X	237872	L30495	Shower nozzle – 0.8 mm (10 pack)	10
TR301-7976	217976	L496	Shower nozzle – 0.8 mm	1
TR301-7976X	217976	L30496	Shower nozzle – 0.8 mm (10 pack)	10

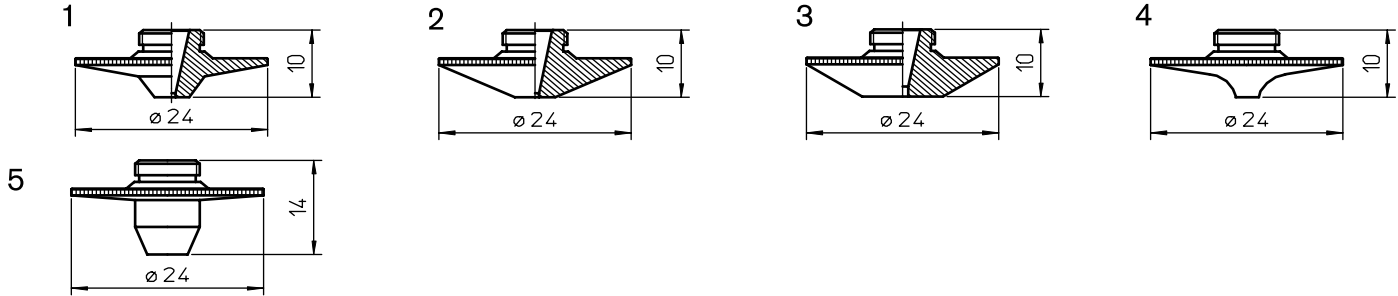
SPECIAL NOZZLES



Consumables

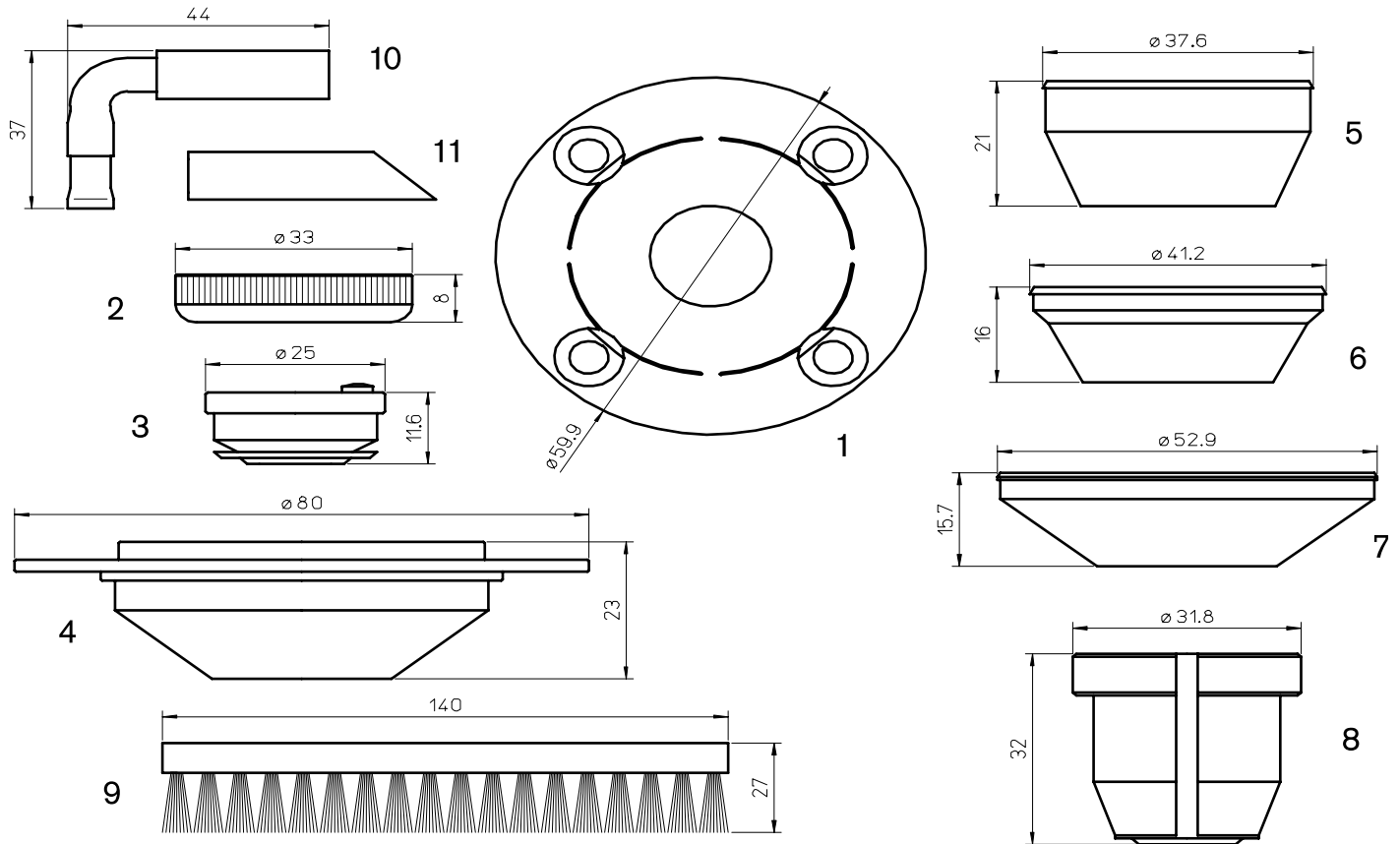
Centricut part number	Reference number	Alternate reference	Description	Pkg qty
TR355-0005	Centricut design	L640	Nozzle – 0.8 mm double	1
TR355-0005X	Centricut design	L30640	Nozzle – 0.8 mm double (10 pack)	10
TR355-0001	Centricut design	L641	Nozzle – 1.0 mm double	1
TR355-0001X	Centricut design	L30641	Nozzle – 1.0 mm double (10 pack)	10
TR355-0006	Centricut design	L648	Nozzle – 1.2 mm double	1
TR355-0006X	Centricut design	L30648	Nozzle – 1.2 mm double (10 pack)	10
TR355-0002	Centricut design	L642	Nozzle – 1.4 mm double	1
TR355-0002X	Centricut design	L30642	Nozzle – 1.4 mm double (10 pack)	10
TR355-0003	Centricut design	L643	Nozzle – 1.7 mm double	1
TR355-0003X	Centricut design	L30643	Nozzle – 1.7 mm double (10 pack)	10
TR355-0007	Centricut design	L644	Nozzle – 2.0 mm double	1
TR355-0007X	Centricut design	L30644	Nozzle – 2.0 mm double (10 pack)	10
TR355-0004	Centricut design	L645	Nozzle – 2.3 mm double	1
TR355-0004X	Centricut design	L30645	Nozzle – 2.3 mm double (10 pack)	10
TR355-0008	Centricut design	L646	Nozzle – 2.7 mm double	1
TR355-0008X	Centricut design	L30646	Nozzle – 2.7 mm double (10 pack)	10
TR355-0009	Centricut design	L647	Nozzle – 3.0 mm double	1
TR355-0009X	Centricut design	L30647	Nozzle – 3.0 mm double (10 pack)	10
1 TR355-0005CP	Centricut design	L640X	Nozzle – 0.8 mm double CP	1
TR355-0005CPX	Centricut design	L30640X	Nozzle – 0.8 mm double CP (10 pack)	10
TR355-0001CP	Centricut design	L641X	Nozzle – 1.0 mm double CP	1
TR355-0001CPX	Centricut design	L30641X	Nozzle – 1.0 mm double CP (10 pack)	10
TR355-0006CP	Centricut design	L648X	Nozzle – 1.2 mm double CP	1
TR355-0006CPX	Centricut design	L30648X	Nozzle – 1.2 mm double CP (10 pack)	10
TR355-0002CP	Centricut design	L642X	Nozzle – 1.4 mm double CP	1
TR355-0002CPX	Centricut design	L30642X	Nozzle – 1.4 mm double CP (10 pack)	10
TR355-0003CP	Centricut design	L643X	Nozzle – 1.7 mm double CP	1
TR355-0003CPX	Centricut design	L30643X	Nozzle – 1.7 mm double CP (10 pack)	10
TR355-0007CP	Centricut design	L644X	Nozzle – 2.0 mm double CP	1
TR355-0007CPX	Centricut design	L30644X	Nozzle – 2.0 mm double CP (10 pack)	10
TR355-0004CP	Centricut design	L645X	Nozzle – 2.3 mm double CP	1
TR355-0004CPX	Centricut design	L30645X	Nozzle – 2.3 mm double CP (10 pack)	10
TR355-0008CP	Centricut design	L646X	Nozzle – 2.7 mm double CP	1
TR355-0008CPX	Centricut design	L30646X	Nozzle – 2.7 mm double CP (10 pack)	10
TR355-0009CP	Centricut design	L647X	Nozzle – 3.0 mm double CP	1
TR355-0009CPX	Centricut design	L30647X	Nozzle – 3.0 mm double CP (10 pack)	10
TR355-0010CP		L649X	Nozzle – 4.0 mm double CP	1

New items shown in bold



Consumables

Centricut part number	Reference number	Alternate reference	Description	Pkg qty
TR412-0008	Centricut design	L226	Nozzle – 0.8 mm HD	1
TR412-0008X	Centricut design	L30226	Nozzle – 0.8 mm HD (10 pack)	10
TR412-0010	Centricut design	L181	Nozzle – 1.0 mm HD	1
TR412-0010X	Centricut design	L30181	Nozzle – 1.0 mm HD (10 pack)	10
1 TR412-0014	Centricut design	L182	Nozzle – 1.4 mm HD	1
TR412-0014X	Centricut design	L30182	Nozzle – 1.4 mm HD (10 pack)	10
TR412-0017	Centricut design	L227	Nozzle – 1.7 mm HD	1
TR412-0017X	Centricut design	L30227	Nozzle – 1.7 mm HD (10 pack)	10
TR301-0001	Centricut design	L313	Nozzle – 2.3 mm HD	1
TR301-0001X	Centricut design	L30313	Nozzle – 2.3 mm HD (10 pack)	10
2 TR412-0001	Centricut design	L228	Nozzle – 0.8 mm HD	1
TR412-0001X	Centricut design	L30228	Nozzle – 0.8 mm HD (10 pack)	10
TR412-0011	Centricut design	L180	Nozzle – 1.0 mm HD	1
TR412-0011X	Centricut design	L30180	Nozzle – 1.0 mm HD (10 pack)	10
3 TR412-0015	Centricut design	L232	Nozzle – 1.5 mm HD	1
TR412-0015X	Centricut design	L30232	Nozzle – 1.5 mm HD (10 pack)	10
TR412-0020	Centricut design	L233	Nozzle – 2.0 mm HD	1
TR412-0020X	Centricut design	L30233	Nozzle – 2.0 mm HD (10 pack)	10
TR412-0023	Centricut design	L720	Nozzle – 2.3 mm HD	1
TR412-0023X	Centricut design	L30720	Nozzle – 2.3 mm HD (10 pack)	10
TR412-0025	Centricut design	L721	Nozzle – 2.5 mm HD	1
TR412-0025X	Centricut design	L30721	Nozzle – 2.5 mm HD (10 pack)	10
TR412-0027	Centricut design	L722	Nozzle – 2.7 mm HD	1
TR302-0027X	Centricut design	L30722	Nozzle – 2.7 mm HD (10 pack)	10
TR412-2323	Centricut design	L671	Nozzle – 2.3 mm HD economy gas	1
TR412-2323X	Centricut design	L30671	Nozzle – 2.3 mm HD economy gas (10 pack)	10
4 TR412-1014CP	Centricut design	L1034X	Nozzle – 1.4 mm HD CP	1
TR412-1014CPX	Centricut design	L301034X	Nozzle – 1.4 mm HD CP (10 pack)	10
TR412-1017CP	Centricut design	L1035X	Nozzle – 1.7 mm HD CP	1
TR412-1017CPX	Centricut design	L301035X	Nozzle – 1.7 mm HD CP (10 pack)	10
TR412-1023CP	Centricut design	L720X	Nozzle – 2.3 mm HD CP	1
TR412-1023CPX	Centricut design	L30720X	Nozzle – 2.3 mm HD CP (10 pack)	10
TR412-1025CP	Centricut design	L721X	Nozzle – 2.5 mm HD CP	1
TR412-1025CPX	Centricut design	L30721X	Nozzle – 2.5 mm HD CP (10 pack)	10
TR412-1027CP	Centricut design	L722X	Nozzle – 2.7 mm HD CP	1
TR412-1027CPX	Centricut design	L30722X	Nozzle – 2.7 mm HD CP (10 pack)	10
5 TR415-0008	Centricut design	L200	Nozzle – 0.8 mm	1
TR415-0010	Centricut design	L199	Nozzle – 1.0 mm	1
TR415-0012	Centricut design	L657	Nozzle – 1.2 mm	1
TR415-0014	Centricut design	L658	Nozzle – 1.4 mm	1
TR415-0016	Centricut design	L670	Nozzle – 1.6 mm	1
TR415-0017	Centricut design	L659	Nozzle – 1.7 mm	1



Consumables

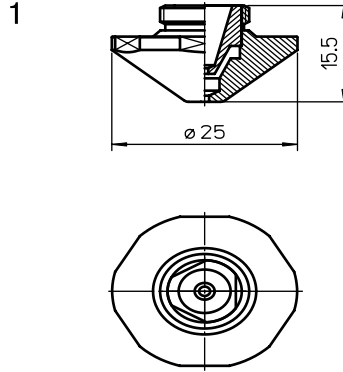
Centricut part number	Reference number	Alternate reference	Description	Pkg qty
1 TR301-4485	234485	AL70	Break-away plate	1
2 TR301-6066	216066	AL250	Signboard	1
3 TR301-8809	258809, 243839, 247894	AL38	Nozzle holder – ceramic	1
4 TR301-6065	216065	AL19	Cover, Teflon [®]	1
5 TR301-6153	256153, 955826	AL47	Cover, Teflon [®]	1
5 TR301-6153T	256153, 955826	AL347	Cover, Teflon [®] – black	1
6 TR301-4496	254496	AL36	Cover, Teflon [®]	1
7 TR301-5286	225286	AL41	Cover, Teflon [®]	1
8 TR301-0432	254493, 260432	AL108	Ceramic nozzle holder	1
9 TR301-3202	0353202, 900594	AL272	Brush	1
10 TR301-8557	088557	088557	Nozzle – 90 degrees	1
11 TR301-6184	256184	256184	Blow tube	1
TR300-115 (not shown)		AL115	Indium wire – 1.0 mm for 1.5" lens	1

New items shown in bold



Consumables

Centricut part number	Reference number	Alternate reference	Description	Pkg qty
TR407-4858	1324858	L1270	Nozzle – 0.8 mm	1
TR407-4858X	1324858	L501270	Nozzle – 0.8 mm (10 pack)	10
TR407-4860	1324860	L1272	Nozzle – 1.0 mm	1
TR407-4860X	1324860	L501272	Nozzle – 1.0 mm (10 pack)	10
TR407-4861	1324861	L1273	Nozzle – 1.2 mm	1
TR407-4861X	1324861	L501273	Nozzle – 1.2 mm (10 pack)	10
TR407-4863	1324863	L1275	Nozzle – 1.4 mm	1
TR407-4863X	1324863	L501275	Nozzle – 1.4 mm (10 pack)	10
TR407-4864	1324864	L1276	Nozzle – 1.7 mm	1
TR407-4864X	1324864	L501276	Nozzle – 1.7 mm (10 pack)	10
1 TR407-4858CPH	1324858	L1270XH	Nozzle – 0.8 mm hard CP	1
TR407-4858CPHX	1324858	L501270XH	Nozzle – 0.8 mm hard CP (10 pack)	10
TR407-4860CPH	1324860	L1272XH	Nozzle – 1.0 mm hard CP	1
TR407-4860CPHX	1324860	L501272XH	Nozzle – 1.0 mm hard CP (10 pack)	10
TR407-4861CPH	1324861	L1273XH	Nozzle – 1.2 mm hard CP	1
TR407-4861CPHX	1324861	L501273XH	Nozzle – 1.2 mm hard CP (10 pack)	10
TR407-4863CPH	1324863	L1275XH	Nozzle – 1.4 mm hard CP	1
TR407-4863CPHX	1324863	L501275XH	Nozzle – 1.4 mm hard CP (10 pack)	10
TR407-4864CPH	1324864	L1276XH	Nozzle – 1.7 mm hard CP	1
TR407-4864CPHX	1324864	L501276XH	Nozzle – 1.7 mm hard CP (10 pack)	10
TR407-4865	1324865	L1277	Nozzle – 2.0 mm	1
TR407-4865X	1324865	L501277	Nozzle – 2.0 mm (10 pack)	10
TR407-4866	1324866	L1278	Nozzle – 2.3 mm	1
TR407-4866X	1324866	L501278	Nozzle – 2.3 mm (10 pack)	10
TR407-4867	1324867	L1279	Nozzle – 2.7 mm	1
TR407-4867X	1324867	L501279	Nozzle – 2.7 mm (10 pack)	10
2 TR407-4865CPH	1324865	L1277XH	Nozzle – 2.0 mm hard CP	1
TR407-4865CPHX	1324865	L501277XH	Nozzle – 2.0 mm hard CP (10 pack)	10
TR407-4866CPH	1324866	L1278XH	Nozzle – 2.3 mm hard CP	1
TR407-4866CPHX	1324866	L501278XH	Nozzle – 2.3 mm hard CP (10 pack)	10
TR407-4867CPH	1324867	L1279XH	Nozzle – 2.7 mm hard CP	1
TR407-4867CPHX	1324867	L501279XH	Nozzle – 2.7 mm hard CP (10 pack)	10



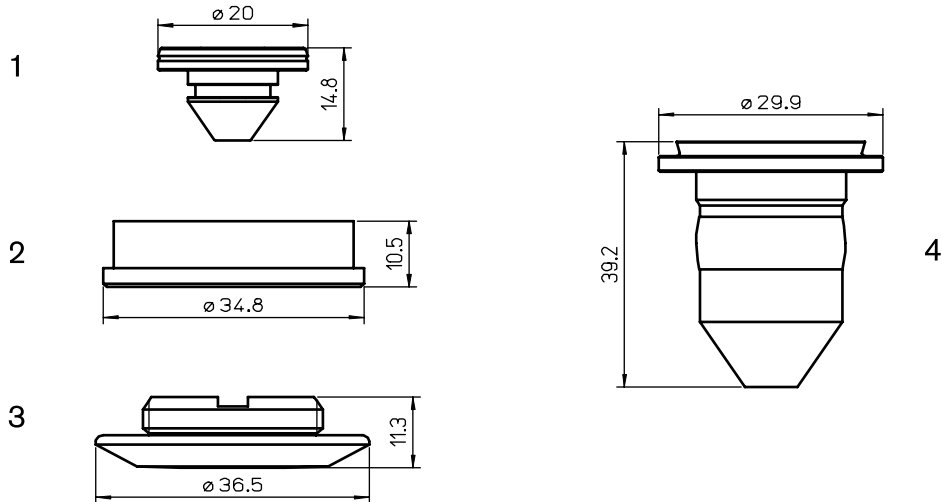
Consumables

Centricut part number	Reference number	Alternate reference	Description	Pkg qty
TR426-1308		L1308	Nozzle – 0.8 mm double	1
TR426-1308X		L501308	Nozzle – 0.8 mm double (10 pack)	10
TR426-1309		L1309	Nozzle – 1.0 mm double	1
TR426-1309X		L501309	Nozzle – 1.0 mm double (10 pack)	10
TR426-1310		L1310	Nozzle – 1.2 mm double	1
TR426-1310X		L501310	Nozzle – 1.2 mm double (10 pack)	10
TR426-1311		L1311	Nozzle – 1.4 mm double	1
TR426-1311X		L501311	Nozzle – 1.4 mm double (10 pack)	10
TR426-1312		L1312	Nozzle – 1.7 mm double	1
TR426-1312X		L501312	Nozzle – 1.7 mm double (10 pack)	10
TR426-1308CPH		L1308XH	Nozzle – 0.8 mm double hard CP	1
TR426-1308CPHX		L501308XH	Nozzle – 0.8 mm double hard CP (10 pack)	10
TR426-1309CPH		L1309XH	Nozzle – 1.0 mm double hard CP	1
TR426-1309CPHX		L501309XH	Nozzle – 1.0 mm double hard CP (10 pack)	10
TR426-1310CPH		L1310XH	Nozzle – 1.2 mm double hard CP	1
TR426-1310CPHX		L501310XH	Nozzle – 1.2 mm double hard CP (10 pack)	10
TR426-1311CPH		L1311XH	Nozzle – 1.4 mm double hard CP	1
TR426-1311CPHX		L501311XH	Nozzle – 1.4 mm double hard CP (10 pack)	10
TR426-1312CPH		L1312XH	Nozzle – 1.7 mm double hard CP	1
TR426-1312CPHX		L501312XH	Nozzle – 1.7 mm double hard CP (10 pack)	10
TR426-1313		L1313	Nozzle – 2.0 mm double	1
TR426-1313X		L501313	Nozzle – 2.0 mm double (10 pack)	10
TR426-1314		L1314	Nozzle – 2.3 mm double	1
TR426-1314X		L501314	Nozzle – 2.3 mm double (10 pack)	10
TR426-1315		L1315	Nozzle – 2.7 mm double	1
TR426-1315X		L501315	Nozzle – 2.7 mm double (10 pack)	10
TR426-1313CPH		L1313XH	Nozzle – 2.0 mm double hard CP	1
TR426-1313CPHX		L501313XH	Nozzle – 2.0 mm double hard CP (10 pack)	10
TR426-1314CPH		L1314XH	Nozzle – 2.3 mm double hard CP	1
TR426-1314CPHX		L501314XH	Nozzle – 2.3 mm double hard CP (10 pack)	10
TR426-1315CPH		L1315XH	Nozzle – 2.7 mm double hard CP	1
TR426-1315CPHX		L501315XH	Nozzle – 2.7 mm double hard CP (10 pack)	10



Consumables

Centricut part number	Reference number	Alternate reference	Description	Pkg qty
TR426-3325	1373325	L1501	Nozzle – 1.0 mm	1
TR426-3325X	1373325	L501501	Nozzle – 1.0 mm (10 pack)	10
TR426-3326	1373326	L1502	Nozzle – 1.2 mm	1
1 TR426-3326X	1373326	L501502	Nozzle – 1.2 mm (10 pack)	10
TR426-3327	1373327	L1503	Nozzle – 1.4 mm	1
TR426-3327X	1373327	L501503	Nozzle – 1.4 mm (10 pack)	10
TR426-3328	1373328	L1504	Nozzle – 1.7 mm	1
TR426-3328X	1373328	L501504	Nozzle – 1.7 mm (10 pack)	10
TR426-3324	1373324	L1500	Nozzle – 0.8 mm	1
TR426-3324X	1373324	L501500	Nozzle – 0.8 mm (10 pack)	10
TR426-3329	1373329	L1505	Nozzle – 2.0 mm	1
2 TR426-3329X	1373329	L501505	Nozzle – 2.0 mm (10 pack)	10
TR426-3330	1373330	L1506	Nozzle – 2.3 mm	1
TR426-3330X	1373330	L501506	Nozzle – 2.3 mm (10 pack)	10
TR426-3331	1373331	L1507	Nozzle – 2.7 mm	1
TR426-3331X	1373331	L501507	Nozzle – 2.7 mm (10 pack)	10

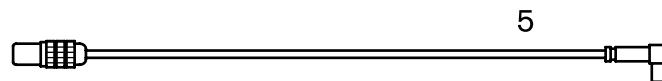


Consumables

Centricut part number	Reference number	Alternate reference	Description	Pkg qty
1 TR303-2952	202952	L5	Nozzle – 0.8 mm HP	1
TR303-0969	218969	L34	Nozzle – 1.0 mm HP	1
TR303-9402	209402	L35	Nozzle – 1.4 mm HP	1
TR303-7953	217953	L36	Nozzle – 1.7 mm HP	1
2 TR303-0001		AL8	Stylus foot	1
3 TR303-6086	216086	AL7	Stylus foot	1
TR304-0653-08	060653	L217	Nozzle – 0.8 mm	1
4 TR304-0653-3	060653	L218	Nozzle – 1.0 mm	1
TR304-0653-14	060653	L219	Nozzle – 1.4 mm	1

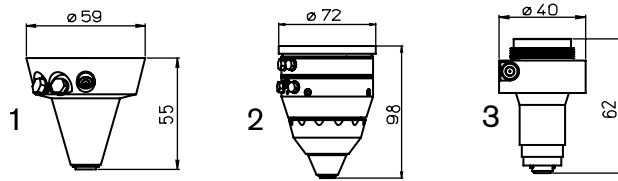
Filters

TR301-2380	092380	FT1	Filter DX	1
TR301-2381	092381	FT2	Filter BX	1
TR301-2379	092379	FT3	Filter CI	1
TR301-3676	123676 – U0310 VF	FT4	Filter	1
TR301-3675	123675 – U0310 SMA	FT5	Filter	1
TR301-3674	123674 – U0310 CA	FT6	Filter	1
TR301-6152	146152	CP10	Filter	1



Consumables

Centricut part number	Reference number	Alternate reference	Description	Pkg qty
5 TR301-1086	0351086, P0492-001-00000	351086	Sensor cable	1



Sensor repairs available in select regions only.

Consumables

Centricut part number	Reference number	Alternate reference	Description	Pkg qty
1 PT999-YH27	562313		Sensor repair YH27	1
2 PT999-YR30	YR-30		Sensor repair YR30	1
3 TR999-3963	913963		Sensor repair 913963	1
TR999-8351 (not shown)	938351		Sensor repair – plate	1
PT999-KN (not shown)	280549		Sensor repair	1
TR301-9983 (not shown)	0359983		Sensor cables – armored 190 mm	1
TR301-7833 (not shown)	227833		Sensor cables – armored 432 mm	1
TR301-0930 (not shown)	280930		Sensor cables – armored 152 mm	1

Optics

Centricut part number	Reference number	Type	Diameter	Focal length	Edge thickness
Lenses					
TR300-6104	346104	MEN	1.5"	3.75"	.290"
TR300-8114	88114	MEN	1.5"	5.0"	.290"
TR300-8398	58398	MEN	1.5"	5.0"	.100"
TR300-0002		MEN	1.5"	5.0"	.157"
TR300-7517	97517	MEN	1.5"	7.5"	.290"
TR300-8123		MEN	1.5"		
TR300-1972	141972	MEN	1.5"	9.0"	.290"
TR300-0163		MEN	1.5"	10.0"	.290"
TR300-6477		MEN	1.5"	10.0"	.354"
Ultra low absorption lenses					
TR300-8114MP5	88114	MEN	1.5"	5.0"	.290"
TR300-7517MP5	97517	MEN	1.5"	7.5"	.290"

Centricut part number	Reference number	Material	Diameter	Edge thickness	S1
Phase shift mirrors					
TR300-5460	85460	CU	2.0"	.374"	
TR300-3349		SI	2.0"	.400"	
TR300-9917		SI	2.0"	.400"	
TR300-9880	129880	SI	2.67"	.800"	
TR300-1559	71559	SI	2.0"	.200"	

Centricut part number	Reference number	Type	Material	Diameter	Edge thickness	S1
Zero phase shift mirrors and total reflectors						
TR300-6066	96066	TRZ	SI	1.5"	.375"	
TR300-2772		TRZ	SI	1.5"	.375"	SEG
TR300-4958		TRZ	SI	1.5"	.375"	PO-PLM
TR300-0681	100681	TRZ	SI	2.00"	.400"	
TR300-0689		TRZ	CU	2.67"	1.34"	WC
TR300-1571		TRZ	SI	2.0"	.400"	
TR300-9881	129881	TRZ	SI	2.67"	.800"	
TR300-2070		TRZ	SI	2.67"	.800"	

New items shown in bold

Centricut is a registered trademark of Hypertherm, Inc. and may be registered in the United States and/or other countries. All other trademarks are the properties of their respective owners. Centricut is in no way affiliated with Trumpf.

Optics

Centricut part number	Reference number	Material	Diameter	Edge thickness	S1
Output couplers					
TR300-5725		ZNSE	1.0"	.236"	
TR300-5092		ZNSE	1.0"	.236"	PO/PO
TR300-4651		ZNSE	1.5"	.120"	

Centricut part number	Reference number	Material	Diameter	Edge thickness	S1/Reflectivity	S2
Rear mirrors						
TR300-8316	128316	GAAS	1.0"	.236"	20MCC	99.5%
TR300-6714	656714	GA	1.0"	.236"		99.7%
TR300-6378	586378	GA	1.0"	.236"	20MCC	99.7%
TR300-6634	536364	GA	1.0"	.236"	30MCC	99.7%

Optics care

Centricut part number	Reference number	Description	Pkg qty
TR300-6452	N/A	CO ₂ Lens paper (50 sheets)	1
TR300-SC20		Cotton swab – 20 piece	1
TR300-1115		Lens cleaning pre-cut cotton –100 piece	1
TR300-1010	AL1010	Dropper, lens cleaning fluid	1
TR300-255	AL255	Loupe, magnifying	1
TR300-271	AL271	Base, lens maintenance	1
TR300-7388	787388	Mirror polish (250 ml)	1

New items shown in bold



Broadest product line in the industry!



Hypertherm, Inc.
Hanover, NH 03755 USA
603-643-3441 Tel

Hypertherm Europe B.V.
4704 SE Roosendaal, Nederland
31 165 596907 Tel

**Hypertherm (Shanghai)
Trading Co., Ltd.**
PR China 200052
86-21 5258 3330 /1 Tel

Hypertherm (S) Pte Ltd.
Singapore 349567
65 6 841 2489 Tel

**Hypertherm (India) Thermal
Cutting Pvt. Ltd.**
Chennai, Tamil Nadu
91 0 44 2834 5361 Tel

Hypertherm Brasil Ltda.
Guarulhos, SP - Brasil
55 11 2409 2636 Tel

Hypertherm México, S.A. de C.V.
México, D.F.
52 55 5681 8109 Tel

www.hypertherm.com



Hypertherm[®]

Cut with confidence[®]